

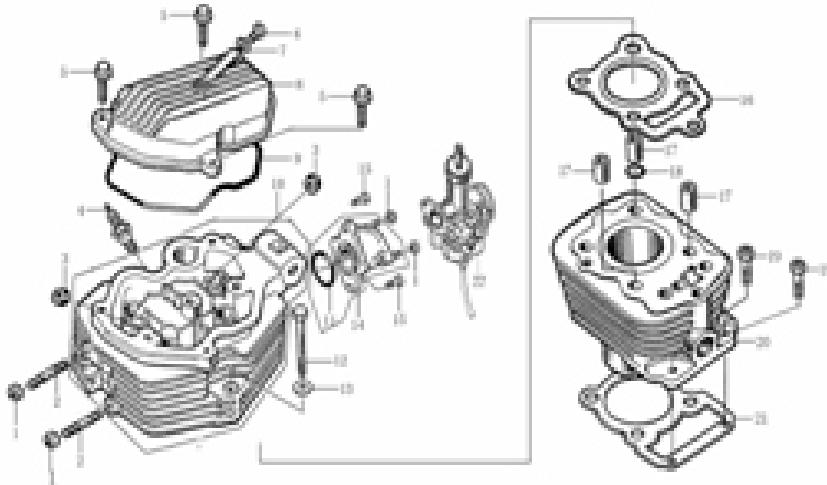
## TMEC200-1 Engine Components

PAGE	DESCRIPTION
2	气缸部件 CYLINDER ASSEMBLY
3	配气机构 VALVE MECHANISM
4	曲轴箱盖 CRANKCASE COVER
5	离合器 CLUTCH
6	机油泵 OIL PUMP
7	曲轴箱 CRANKCASE
8	曲轴/活塞/连杆部件 CRANKSHAFT/PISTON/CONNECTING ROD COMP
9	传动机构 TRANSMISSION MECHANISM
10	变速机构 GEARSHIFT MECHANISM
11	磁电机总成 MAGNETO COMP
12	电启动机构 ELECTRIC STARTING MECHANISM



## 气缸部件 CYLINDER ASSEMBLY

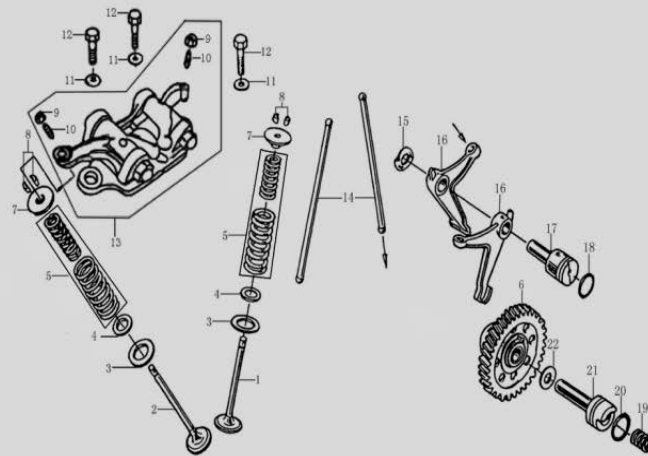
序号	件号	中文名称	英文名称	数量
Ref No.	Part No.	Chinese Description	English Description	Qty
1	B061700006000090X	GB6170螺母M6 (兰白锌)	NUT M6	2
2	91138-I008-00000X	CG125D缸头排气口双头螺栓M6×35 (兰白锌)	STUD M6×35	2
3	1572B-I008-0000	CG125D挡油罩组合	VALVE STEM SEAL ASSY	2
4	81300-I006-0000	CB125脚火花塞部件	SPARK PLUG	1
5	B057890006002870X	GB5789螺栓M6×28 (兰白锌)	BOLT M6×28	3
6	B057890006001270X	GB5789螺栓M6×12 (兰白锌)	BOLT M6×12	1
7	93301-70651512000	70张紧杆注油铝垫圈6.5×1.5×12	WASHER 6.5×1.5×12	1
8	11226-I022-000086	CG125脚气缸头上盖 (8806)	CYLINDER HEAD UPPER COVER	1
9	90103-I008-0000	CG125D气缸头上盖密封圈	GASKET,CYLINDER HEAD UPPER COVER	1
10	1122B-LA66-000086	CG200-A气缸头组合 (8806)	CYLINDER HEAD ASSY	1
11	90101-20335000300	CB125进气管O形圈33.5×3 (氟硅胶)	O-RING 33.5×3	1
12	91104-LA51-00000X	SB200缸头缸体螺栓M8×82 (兰白锌)	BOLT M8×82	1
13	93301-80852218000	CB125盖形螺母铜垫圈8.5×2.2×18	WASHER 8.5×2.2×18	1
14	15800-L044-0041	CB200进气管组合 (JQ-41)	PIPE COMP,INTAKE (JQ-41HB)	1
15	B057830006002070X	GB5783螺栓M6×20 (兰白锌)	BOLT M6×20	2
16	9022B-LA66-0000	CG200-A气缸头密封垫组合	GASKET ASSY,CYLINDER HEAD	1
17	91521-10002000000	CG125脚定位销10×20	DOWEL PIN 10×20	3
18	90101-20100000160	CB125缸头气门导管O形圈10×1.6 (氟硅胶)	O-RING 10×1.6	1
19	91113-I008-00000X	CG125D缸体箱体连接螺栓M6×22 (兰白锌)	BOLT M6×22	2
20	1110B-LA66-000086	CG200-A气缸体部件 (缸标196 8806)	CYLINDER BLOCK COMP	1
21	90205-LA66-0000	CG200-A气缸体密封垫	GASKET, CYLINDER BLOCK	1
22	17100-LZ66-0066	CG200-A电化油器 (PZ30 手动 无泵)	CARBURETOR ASSY	1



气缸部件  
CYLINDER ASSEMBLY

## 配气机构 VALVE MECHANISM

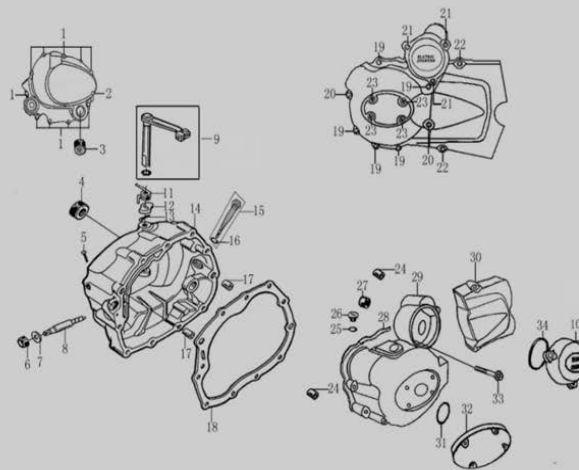
序号	件号	中文名称	英文名称	数量
Ref No.	Part No.	Chinese Description	English Description	Qty
1	15701-LA66-0000	CG200-A进气门	INLET VALVE	1
2	15702-LA66-0000	CG200-A排气门	OUTLET VALVE	1
3	15706-I008-0000	CG125D气门外弹簧座圈(下)	SPRING SEAT VALVE	2
4	15708-I008-0000	CG125D气门内弹簧座圈(下)	INNER SPRING SEAT, VALVE	2
5	15710-I008-0000	CG125D气门内外弹簧组合	OUTER SPRING	2
6	1510A-I008-0000	CG125D正时从动齿部件	INNER SPRING	1
7	15705-I008-0000	CG125D气门弹簧座(上)	RETAINER, VALVE SPRING	2
8	15707-I006-0000	CB125脚气门锁夹	VALVE COTTER	4
9	15403-I006-0000	CB125脚气门间隙调节螺母	ADJUSTING NUT, VALVE CLEARANCE	2
10	15404-I006-0000	CB125脚气门间隙调节螺钉	ADJUSTING SCREW, VALVE CLEARANCE	2
11	93301-80852218000	CB125盖形螺母铜垫圈8.5×2.2×18	WASHER 8.5×2.2×18	3
12	91180-I008-0000	CG125D上摇臂螺栓M8×28	BOLT M8×28	3
13	1540A-I008-0000	CG125D气门上摇臂组合	ARM ROCKER ASSY	1
14	1532A-LA51-0000	SB200推杆组合	PUSH LEVER COMP	2
15	93303-51230220900	CG125D下摇臂波形垫圈12.3×0.2×20.9	WAVE WASHER 12.3×0.2×20.9	1
16	15407-I008-0000	CG125D下摇臂	LOWER ROCKER ARM	2
17	15408-I008-0000	CG125D下摇臂轴	SHAFT, LOWER ROCKER ARM	1
18	90101-20180000250	CG125D下摇臂轴O形圈18×2.5(氟硅胶)	O-RING 18×2.5	1
19	15109-I008-0000	CG125D配气凸轮轴弹簧	SPRING	1
20	90101-20200000250	CG125D凸轮轴O形圈20×2.5(氟硅胶)	O-RING 20×2.5	1
21	15105-J034-0000	CG150D配气凸轮芯轴	AIR MLET CAM SHAFT	1
22	93301-51421024000	CG125D凸轮轴垫圈14.2×1×24	THRUST WASHER 14.2×1×24	1



配气机构  
VALVE MECHANISM

## 曲轴箱盖 CRANKCASE COVER

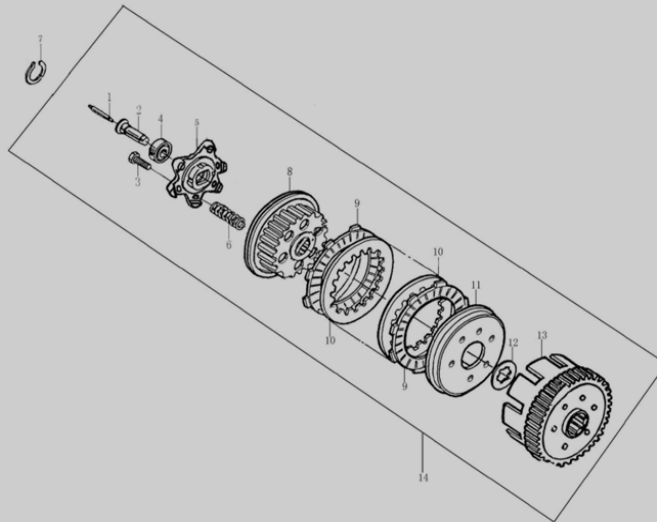
序号	件号	中文名称	英文名称	数量
Ref No.	Part No.	Chinese Description	English Description	Qty
1	B166740A06004070X	GB16674小盘螺栓M6×40(兰白锌)	BOLT M6×40	10
2	B166740A06005070X	GB16674小盘螺栓M6×50(兰白锌)	BOLT M6×50	1
3	12426-1008-0000	CG125D机油观察窗	OIL SPYHOLE	1
4	90304-1006-0000	CB125脚启动轴油封16×28×7(丁腈胶)	OIL SEAL 16×28×7	1
5	B008200005002520B	GB820螺钉M5×25(白锌)	SCREW M5×25	1
6	90307-1006-0000	CB125脚转速输出轴油封6.5×14.5×7	OIL SEAL 6.5×14.5×7	1
7	93301-60671014400	CB125转速输出轴止推垫圈6.7×1×14.4	THRUST WASHER 6.7×1×14.4	1
8	87301-1008-0000	CG125D转速输出轴	SHAFT FOR TRANSMISSION	1
9	2242A-1008-00000X	CG125D离合器操纵臂组合(兰白锌)	CLUTCH LEVER ASSY	1
10	12308-1008-400085	CG125D双联齿轮盖(白板 威风款 8805)	COVER,REDUCTION GEAR	1
11	22427-1008-0000	CG125D离合器操纵臂弹簧	CLUTCH LEVER SPRING	1
12	22429-1008-0000	CG125D离合器分离凸轮	CLUTCH SEPARATION CAM	1
13	91523-1008-0000	CG125D操纵臂卡销	PIN, CLUTCH LEVER	1
14	12421-1008-110085	CG125D右曲轴箱盖(白板 鲸鱼款 8805)机械式	R.CRANKCASE COVER ASSY	1
15	14301-1006-0000	CB125脚机油尺组合(白板 本色)整体式	OIL RULER ASSY	1
16	90101-10180000300	CG125机油尺O形圈18×3(丁腈胶)	O-RING 18×3	1
17	91521-08001400000	70定位销8×14×6.3	DOWEL PIN 8×14	2
18	90206-1008-0000	CG125D右曲轴箱盖密封垫	GASKET,R.CRANKCASE COVER	1
19	B166740A06004070X	GB16674小盘螺栓M6×40(兰白锌)	BOLT M6×40	5
20	B166740A06005070X	GB16674小盘螺栓M6×50(兰白锌)	BOLT M6×50	2
21	B166740A06002070X	GB16674小盘螺栓M6×20(兰白锌)	BOLT M6×20	3
22	B166740A06002870X	GB16674小盘螺栓M6×28(兰白锌)	BOLT M6×28	2
23	B008180006001220X	GB818螺钉M6×12(兰白锌)	SCREW M6×12	4
24	91521-10001400000	CG125脚定位销10×14	DOWEL PIN 10×14	2
25	90101-10132000265	C100小视孔盖O形圈13.2×2.65(丁腈胶)	O-RING 13.2×2.65	1
26	12303-G011-000085	C100小视孔盖(8805)	CAP, SMALL SIGHT HOLE	1
27	92102-1008-0001	CG125D含油轴承(铁基)	NEEDLE BEARING (HK101410)	2
28	90204-1008-0000	CG125D左曲轴箱前盖密封垫	GASKET, L.CRANKCASE COVER	1
29	12301-1008-100085	CG125D左曲轴箱前盖(白板 鲸鱼款 8805)	L.CRANKCASE COVER	1
30	12302-1008-050085	CG125D左曲轴箱后盖(CG125D-JY-26B# 8805)	BACK COVER,L.CRANKCASE	1
31	90101-10274000265	C100大视孔盖O形圈27.4×2.65(丁腈胶)	O-RING 27.4×2.65	1
32	12307-1008-10010G	CG125D左前盖装饰盖(ZONGSHEN 鲸鱼款 白铬)	DECORATE COVER ,L.CRANKCASE COVER	1
33	B166740A06002570B	GB16674小盘螺栓M6×25(白锌)	BOLT M6×25	1
34	90101-10620000300	CG125D减速齿轮盖O形圈62×3(丁腈胶)	O-RING 62×3	1



曲轴箱盖  
CRANKCASE COVER

## 离合器 CLUTCH

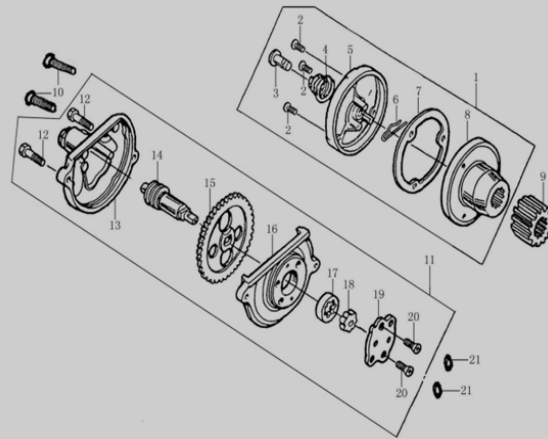
序号	件号	中文名称	英文名称	数量
Ref No.	Part No.	Chinese Description	English Description	Qty
1	22314-I008-0000	CG125D离合器顶杆	CARRIER ROD	1
2	22401-I008-0000	CG125D离合器分离轴套	AXLE SLEEVE	1
3	91129-J034-00000B	CG150D离合器法兰盘螺栓M5×20(白锌)	BOLTM5×20	6
4	92102-0000006001	轴承(6001)	BEARING (6001)	1
5	22121-LA73-0000	CG200-A水冷离合器端盖	CLUTCH OUTER CASE COMP	1
6	22142-LA66-0000	CG200-A离合器弹簧	SPRING,CLUTCH	6
7	91403-I008-0000	CG125D离合器挡圈20	CIRCLIP 20	1
8	22105-LA66-0000	CG200-A离合器中心套	CENTRAL SLEEVE,CLUTCH	1
9	22214-LA73-0000	CG200-A水冷离合器主动摩擦片	FRICTION PLATE ASSY	5
10	22215-I006-0000	CB125脚离合器从动摩擦片	FRICTION PLATE ASSY	4
11	22122-LA66-0000	CG200-A离合器压盘	CLUTCH PRESSING PLATE	1
12	22002-I006-0000	CB125脚离合器碟形垫圈16.5×2×27	SPLINE WASHER	1
13	22150-LA73-0000	CG200-A水冷离合器外罩组合	OUTER CASE ASSEMBLY, CLUTCH	1
14	22000-LA66-0701	CG200-A-2#离合器总成(无碟簧 不带轴承)	CLUTCH COMP	1



离合器  
CLUTCH

## 机油泵 OIL PUMP

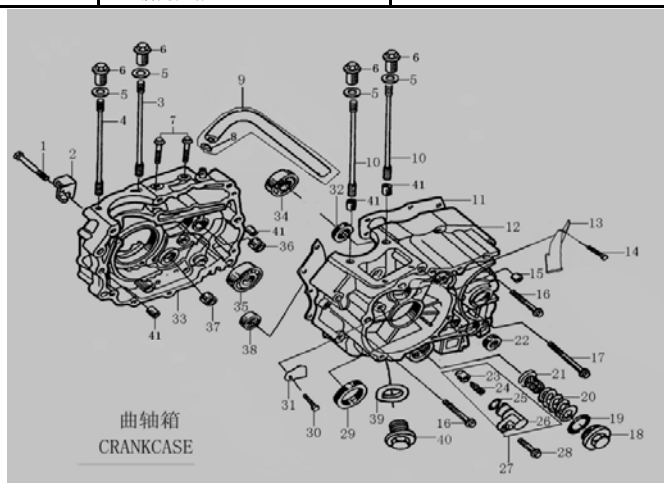
序号	件号	中文名称	英文名称	数量
Ref No.	Part No.	Chinese Description	English Description	Qty
1	14200-I006-0000	CB125脚机油滤清器部件	OIL FILTER COMP	1
2	B008190105001220B	GB819. 1螺钉M5×12(白锌)	SCREW M5×12	3
3	14201-I006-0000	CB125脚机油滤清器出油管	EX.TUBE,OIL	1
4	14202-I006-0000	CB125脚机油滤清器出油管弹簧	SPRING,EX.TUBE	1
5	14207-I006-0000	CB125脚机油滤清器盖	CAP, OIL FILTER	1
6	14208-I006-0000	CB125脚机油滤清器开口销	OIL FILTER COTTER PIN	1
7	90209-I006-0000	CB125脚机油滤清器端盖密封垫	GASKET,OIL FILTER CAP	1
8	14205-I006-0000	CB125脚机油滤清器体	OIL FILTER BODY	1
9	23101-I006-0000	CB125脚主动齿	DRIVE GEAR	1
10	B008190106003020B	GB819. 1螺钉M6×30(白锌)	SCREW M6×30	2
11	14100-LA66-0000	CG200-A机油泵部件(机械式)	OIL PUMP ASSY	1
12	B057820005002070B	GB5782螺栓M5×20(白锌)	BOLT M5×20	2
13	14113-I006-0100	CB125脚机油泵齿轮盖(机械式)	COVER,OIL PUMP GEAR	1
14	14107-I008-0100	CG125D机油泵齿轮驱动轴(机械式)	TACHOMETER GEAR	1
15	14102-I006-0100	CB125脚机油泵齿轮(m=1.75 z=37 机械式)	DRIVE GEAR,OIL PUMP	1
16	14110-I006-0100	CB125脚机油泵体(机械式)	OIL PUMP CASE	1
17	14112-I006-0100	CB125脚机油泵外转子(机械式)	OUTER ROTOR,OIL PUMP	1
18	14111-I006-0100	CB125脚机油泵内转子(机械式)	INNER ROTOR,OIL PUMP	1
19	14108-IA20-0000	SB125机油泵盖板	OIL PUMP COVER	1
20	B008190104001220B	GB819. 1螺钉M4×12(白锌)	SCREW M4×12	2
21	90101-10094000240	CG125机油泵O形圈9.4×2.4(丁腈胶)	O-RING 9.4×2.4	2



机油泵  
OIL PUMP

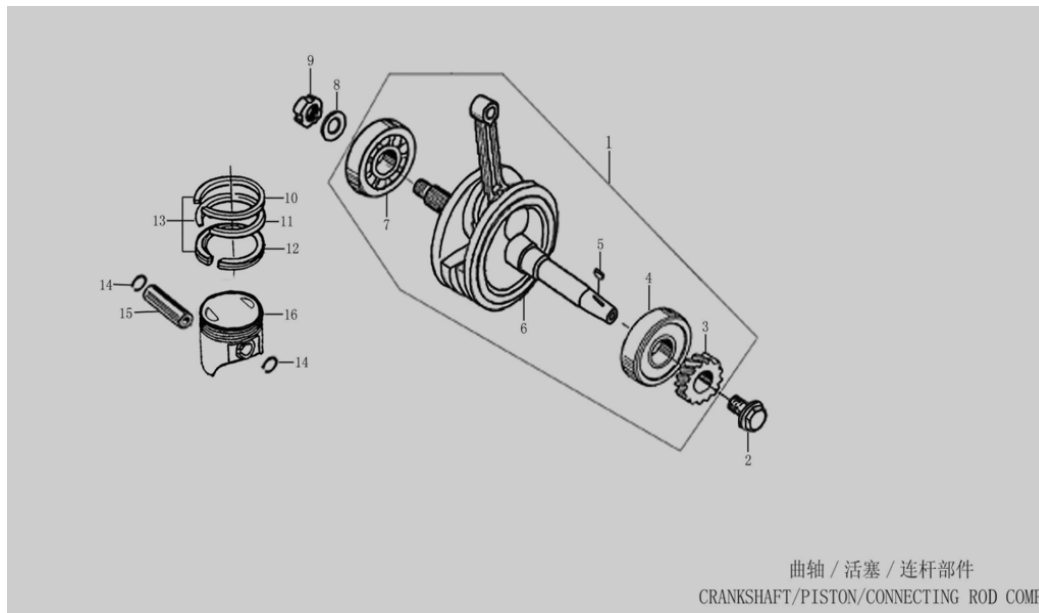
## 曲轴箱 CRANKCASE

Ref No.	Part No.	Chinese Description	English Description	Qty
1	B166740A06005570X	GB16674小盘螺栓M6×55(兰白锌)	BOLT M6×55	1
2	22422-1008-00030X	CG125D离合器3#钢索支架(兰白锌)	HOLDER,CLUTCH CABLE	1
3	91101-LA66-0100	CG200-A-2#气缸双头螺栓A(螺纹22mm 杆)	CYLINDER STUD BOLT A	1
4	91101-LA66-0300	CG200-A-4#气缸双头螺栓A(螺纹22mm 杆)	CYLINDER STUD BOLT A	1
5	93301-C125202200B	CG125DB栓平垫圈12.5×2×22(白锌)	WASHER 12.5×2×22	4
6	91212-1008-00000C	CG125D气缸头AB栓长螺母M8×32(彩锌)	NUT	4
7	B057890006002870X	GB5789螺栓M6×28(兰白锌)	BOLT M6×28	2
8	18097-1008-0000	CG125D废气循环管 I 卡箍	CLAMP	1
9	12130-1008-0001	CG125D-1#通气管组件(复合层材料 卡箍)	PIPE ASSY	1
10	91102-LA66-0200	CG200-A-3#气缸双头螺栓B(螺纹22mm 杆)	CYLINDER STUD BOLT B	2
11	90208-1008-0000	CG125D曲轴箱密封垫	GASKET,CRANKCASE	1
12	1212B-J034-010085	CG150D-2#左曲轴箱组合(8805)	LEFT CRANKCASE BLOCK	1
13	12103-1008-0000	CG125D挡线片	POSITION PLATE	1
14	B166740A06001270B	GB16674小盘螺栓M6×12(白锌)	BOLT M6×12	1
15	92102-1008-0001	CG125D含油轴承(铁基)	BEARING	1
16	B166740A06005070X	GB16674小盘螺栓M6×50(兰白锌)	BOLT M6×50	9
17	B166740A06009570X	GB16674小盘螺栓M6×95(兰白锌)	BOLT M6×95	1
18	11230-1006-00000W	CB125脚气门室盖(抛丸钝化)	COVER, VALVE CHAMBER	1
19	90101-20350000300	CB125气门盖O形圈35×3(氟硅胶)	O-RING 35×3	1
20	14221-1006-0000	CB125脚机油过滤网弹簧	SPRING,OIL FILTER STRAINER	1
21	1431B-1006-0000	CB125脚机油过滤网组合	STRAINER,OIL FILTER	1
22	90301-1006-0000	CB125脚踏换挡油封14×28×7(丁腈胶)	OIL-SEAL 14×28×7	1
23	12132-1008-0000	CG125D压销体顶销	PRESSING PIN BODY UPPER PIN	1
24	12133-1008-0000	CG125D压销体弹簧	PRESSING PIN BODY SPRING	1
25	90101-10130000250	CG125压销体O形圈13×2.5(丁腈胶)	O-RING 13×2.5	1
26	12134-1008-0000	CG125D压销体本体	PRESSING PIN BODY	1
27	1213B-1008-0000	CG125D压销体组合	PRESSING PIN BODY ASSY	1
28	B166740A06002570B	GB16674小盘螺栓M6×25(白锌)	BOLT M6×25	1
29	90302-1008-0000	CG125D曲轴油封34×50×7(丁腈胶)	OIL-SEAL 34×50×7	1
30	B057830006001270B	GB5783螺栓M6×12(白锌)	BOLT M6×12	1
31	15108-1008-0000	CG125D配气凸轮轴挡板	STOP PLATE, CAMSHAFT	1
32	92102-0000006202Z	轴承(6202Z)	BEARING (6202Z)	1
33	1222B-J034-000185	CG150D右曲轴箱组合(8805)	RIGHT CRANKCASE BLOCK	1
34	92102-00000006204	轴承(6204)	BEARING (6204)	1
35	92102-00000006006	轴承(6006)	BEARING (6006)	1
36	92102-000NK152312	滚针轴承(NK152312)	BEARING (NK152312)	1
37	92102-000HK212810	滚针轴承(HK212810)	BEARING (HK212810)	1
38	90303-1006-0000	CB125脚副轴油封20×34×7(丁腈胶)	OIL SEAL 20×34×7	1
39	93301-71242020000	CG125D放油螺塞铝垫圈12.4×2×20	WASHER 12.4×2×20	1
40	91103-1008-00000X	CG125D放油螺塞(兰白锌)	OIL DRAIN PLUG	1
41	91521-10001400000	CG125脚定位销10×14	PIN 10×14	4



### 曲轴/活塞/连杆部件CRANKSHAFT/PISTON/CONNECTING ROD COMP

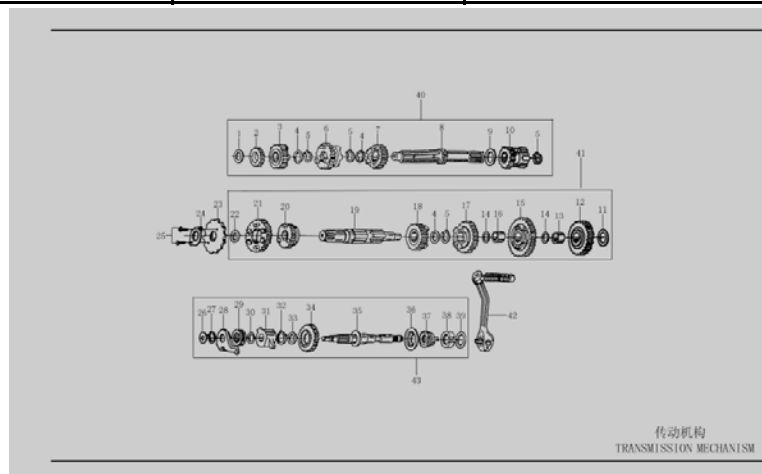
序号	件号	中文名称	英文名称	数量
RefNo.	Part No.	Chinese Description	English Description	Qty
1	1320B-LZ66-1800	CG200-A电曲轴连杆部件(大头滚针KU324118)	CRANKSHAFT CONNECTING ROD ASSY	1
2	91106-I008-0000	CG125D磁电机安装螺栓M10×36	BLOT M10×36	1
3	13222-I008-0000	CG125D曲轴正时主动齿轮	CRANKSHAFT TIMING GEAR	1
4	92102-63-28-RS-P5	轴承(63/28-RS/P5)	BEARING (63/28-RS/P5)	1
5	91601-I008-0000	CG125D半圆键25×14×4	SEMICIRCLE KEY 25×14×4	1
6	13204-LA66-0000	CG200-A连杆	CONNECTING ROD COMP 3	1
7	92102-00063-28-P5	轴承(63/28/P5)	BEARING (63/28/P5)	1
8	22004-I006-0000	CB125脚离合器碟形垫圈	DISH WASHER	1
9	91203-I006-0000	CB125脚机油滤清器螺母	NUT, OIL FILTER	1
10	13103-LA66-0000	CG200-A活塞环一	PISTON RING 1	1
11	13104-LA66-0000	CG200-A活塞环二	PISTON RING 2	1
12	13120-LA66-0000	CG200-A油环组合	OIL RING ASSY	1
13	1310A-LA66-0000	CG200-A活塞环总成	PISTON RING COMP	1
14	91401-I006-0000	CB125脚活塞销挡圈	CLIPCLIP, PISTON PIN	2
15	13102-LA66-0000	CG200-A活塞销	PISTON PIN	1
16	13101-LA66-0404	CG200-A-4#活塞(头部微弧氧化)圆桶形	PISTON	1





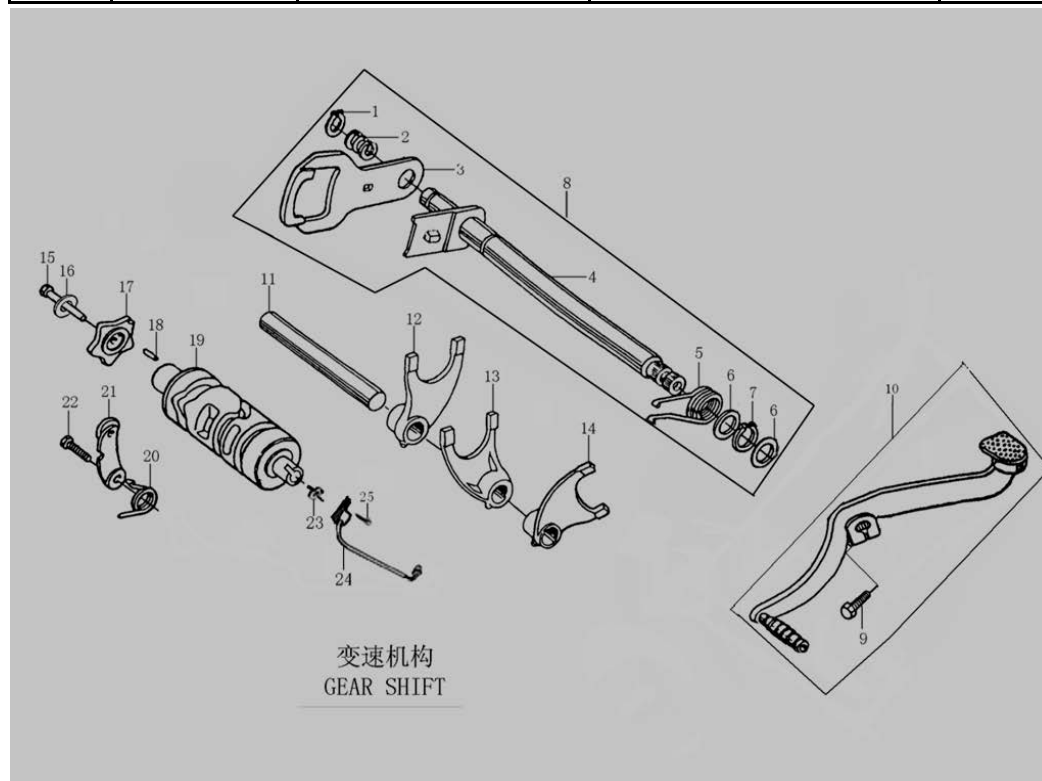
## 传动机构 TRANSMISSION MECHANISM

Ref No.	Part No.	Chinese Description	English Description	Qty
1	93301-61521025000	CB125主轴止推垫圈 15.2×1×25	THRUST WASHER 15.2×1×25	1
2	23222-LA73-0002	CG200-A水冷主轴2档齿轮	GEAR M-2	1
3	23222-LA73-0005	CG200-A水冷主轴5档齿轮	GEAR M-5	1
4	23223-1006-0000	CB125脚齿轮隔圈 17.3(20)×1.6×26	SPACER WASHER	3
5	91402-D002-0100	70启动轴挡圈 φ18.5×1.2×φ22.1	INNER CIRCLIP φ18.5×1.2×φ22.1	3
6	23222-LA73-0004	CG200-A水冷主轴4档齿轮	GEAR M-4	1
7	23222-LA73-0003	CG200-A水冷主轴3档齿轮	GEAR M-3	1
8	23221-LA73-0000	CG200-A水冷主轴芯轴	MAIN SHAFT	1
9	93301-61521025000	CB125主轴止推垫圈 15.2×1×25	THRUST WASHER 15.2×1×25	1
10	23231-1008-0000	CG125D主轴起动齿轮组合	STARTING GEAR ASSY	1
11	93301-62020527000	CB125主轴止推垫圈 20.2×0.5×27	THRUST WASHER 20.2×0.5×27	2
12	23248-I008-0000	CG125D副轴启动过桥齿轮	COUNTERSHAFT STARTING GEAR	1
13	23203-1008-0003	CG125D副轴启动齿轮衬套	COLLAR BUSH, COUNTERSHAFT DRIVE GEAR	1
14	93301-51650524000	CG125D副轴止推垫圈 16.5×0.5×24	THRUST WASHER 16.5×0.5×24	2
15	23242-LA73-0001	CG200-A水冷副轴1档齿轮	GEAR C-1	1
16	23203-1006-0001	CB125脚副轴1档齿轮衬套	BUSH	1
17	23242-LA73-0003	CG200-A水冷副轴3档齿轮	GEAR C-3	1
18	23242-LA73-0004	CG200-A水冷副轴4档齿轮	GEAR C-4	1
19	23241-1008-0000	CG125D-1#五档副轴芯轴	COUNTERSHAFT	1
20	23242-LA73-0005	CG200-A水冷副轴5档齿轮	GEAR C-5	1
21	23242-LA73-0002	CG200-A水冷副轴2档齿轮	GEAR C-2	1
22	93301-61521030000	CB125副轴止推垫圈 15.2×1×30	THRUST WASHER 15.2×1×30	1
23	23401-1008-0008	CG125D主动链轮(428, 15)	DRIVE SPROCKET	1
24	23402-1006-0000	CB125脚主动链轮固定板	POSITION PLATE ,DRIVE SPROCKET	1
25	B057830006001070B	GB5783螺栓M6×10(白锌)	BOLT M6×10	2
26	93301-51211018000	CG125D启动轴垫圈12.1×1×18	WASHER 12.1×1×18	1
27	91402-I008-0000	CG125D启动轴弹性挡圈 φ18.5×1.2×φ22.4	CIRCLIPφ18.5×1.2×φ22.4	1
28	2112B-I008-0000	CG125D棘轮导板组合	RATCHET ASSY	1
29	21119-I008-0000	CG125D启动棘轮弹簧	RATCHET SPRING	1
30	93301-51611024000	CG125D启动轴垫圈16.1×1×24	THRUST WASHER 16.2×1×24	1
31	21118-I008-0000	CG125D启动棘轮	STARTING RATCHET	1
32	B0089401160000000	GB894.1挡圈16	CIRCLIP 16	1
33	93301-62000527000	CG125启动轴垫圈20×0.5×27	THRUST WASHER 20.2×0.5×27	1
34	21117-I008-0000	CG125D启动齿轮	STARTING GEAR	1
35	21107-I008-0001	CG125D启动轴芯轴(油封光杆L:60) 兰白锌	STARTING SHAFT	1
36	21104-I008-0000	CG125D启动轴弹簧座	SPRING SEAT ,STARTING SHAFT	1
37	21106-I008-0000	CG125D启动轴复位弹簧	RETURN SPRING,STARTING SHAFT	1
38	21111-I008-0000	CG125D启动轴轴环	COLLAR,STARTING SHAFT	1
39	93301-51611024000	CG125D启动轴垫圈16.1×1×24	WASHER 16.2×1.0×24	1
40	23220-LA73-0000	CG200-A水冷主轴组合	MAIN SHAFT ASSY	1
41	23240-LA73-0000	CG200-A水冷-1#副轴组合	COUNTERSHAFT ASSY	1
42	21200-I008-0009	CG125D启动杆部件(QD-9)	STARTING BAR COMP (QD-9)	1
43	21100-I008-0202	CG125D启动轴总成(油封光杆L:60 兰白锌)	STARTING SHAFT COMP	1



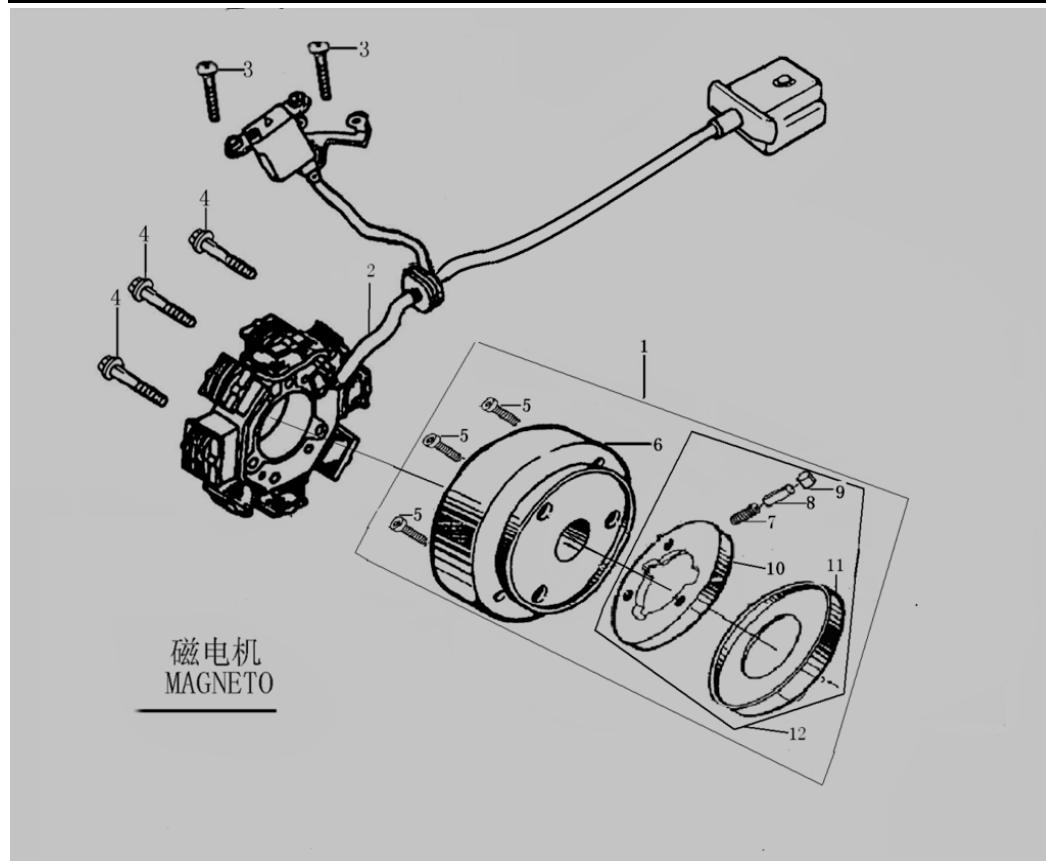
## 变速机构 GEARSHIFT MECHANISM

序号	件号	中文名称	英文名称	数量
Ref No.	Part No.	Chinese Description	English Description	Qty
1	B0089401120000000	GB894. 1挡圈12	CIRCLIP 12	1
2	24303-1006-0000	CB125脚踏换挡板弹簧	SPRING, GEARSHIFT PLATE	1
3	24319-1008-0000	CG125D换挡板(五档循环档)	GEARSHIFT PLATE	1
4	24301-1008-00000C	CG125D换挡轴组合(彩锌 五档循环档)	GEARSHIFT SHAFT COMP	1
5	24302-1008-0000	CG125D换挡回位弹簧	RETURN SPRING	1
6	93301-51400520000	CB125脚踏换挡臂垫圈14×0.5×20	WASHER 14×0.5×20	2
7	B0089401140000000	GB894. 1挡圈14	CIRCLIP 14	1
8	24300-1008-00010C	CG125D换挡臂部件(五档循环档 彩锌)	GEARSHIFT LEVER COMP	1
9	B057830006002070G	GB5783螺栓M6×20(白铬)	BOLT M6×20	1
10	24400-1008-0016	CG125D变速踏板部件(BT-16)	GEARSHIFT SHAFT	1
11	24107-1006-0000	CB125脚踏拨叉轴	SHAFT, GEARSHIFT FORK	1
12	24104-1006-0000	CB125脚副轴右拨叉	RIGHT FORK, COUNTERSHAFT	1
13	24106-1006-0000	CB125脚主轴拨叉	CENTER FORK, MAINSHAFT	1
14	24105-1006-0000	CB125脚副轴左拨叉	LEFT FORK, COUNTERSHAFT	1
15	B057830006002570B	GB5783螺栓M6×25(白锌)	BOLT M6×25	1
16	B0009300060000000	GB93弹垫6	WASHER φ6	1
17	24202-1008-0600	CG125D五星板(五档循环档)	STOPPING PLATE	1
18	B0011901040100000	GB119. 1销4×10	PIN 4×10	1
19	24213-1008-0600	CG125D变速鼓(五档循环档)	GEARSHIFT DRUM	1
20	24304-1006-0100	CB125脚-2#定位板弹簧	SPRING ,LOCATING PLATE	1
21	2434A-1008-0400	CG125D-2#定位板组合(五档循环档及五档)	LOCATING PLATE ASSY	1
22	91115-1008-00000B	CG125D档位定位板螺栓(五档循环档 白锌)	BOLT FIXING PLATE	1
23	88004-1008-0100	CG125D-2#档显动触头	CONTACT, CEARINDICATION	1
24	88031-1008-150045	CG125D-2A#档显线束(五档循环L:450mm)	GEARSHIFT SWITCH COMP	1
25	B008190106002020B	GB819. 1螺钉M6×20(白锌)	SCREW M6×20	1



## 磁电机总成 MAGNETO COMP

序号	件号	中文名称	英文名称	数量
Ref No.	Part No.	Chinese Description	English Description	Qty
1	82130-I008-0104	CG125D磁电机转子组合(12V8极 带模块式超越离合器)	MAGNETOR STATOR ASSY	1
2	82120-I008-020043	CG125D磁电机定子组合(12V8极全英文版本大数077961-6.3-21 11-439)零件编号:21	MAGNETO ROTOR COMP	1
	B057830005001670B	GB5783螺栓M5×16(白锌)	BOLT M5×16	2
	B057830005002570B	GB5783螺栓M5×25(白锌)	BOLT M5×25	3
	91197-I008-00000C	CG125D超越离合器紧固螺钉M8×18(彩锌)	BOLT M8×18	3
	82130-I008-0101	CG125D磁电机转子组合(12V8极 不带超越离合器)	ROTOR ASSY,MAGNETO	1
	21303-I008-0000	CG125D启动离合器滚柱弹簧	SPRING	3
	21305-I008-0000	CG125D启动离合器弹簧套/顶销	CONE BILOCKAGE	3
	21304-I008-0000	CG125D启动离合器滚柱	CLUTCH ROLLER	3
	21309-I008-0000	CG125D启动离合器本体	ASSEMBLY, SPIDER	1
	21302-I008-0000	CG125D启动离合器侧盖	OUTER CASE, PRIMARY CLUTCH	1
	21300-I008-0000	CG125D超越离合器部件	ASSEMBLY, OVERRUNNING CLUTCH	1



## 电启动机构 ELECTRIC STARTING MECHANISM

序号	件号	中文名称	英文名称	数量
Ref No.	Part No.	Chinese Description	English Description	Qty
1	82200-LZ66-230051	CG200-A电-2#启动电动机零件(机壳8885 无字 隔布 单线L-510)	STARTING MOTOR ASSY	1
2	21402-I008-0100	CG125D-2#双联齿轮轴	GEARSHAFT,CONNECTED	1
3	2142A-LA73-0000	CG200-A水冷启动大齿轮组合(配合模块式超离)	STARTER GEAR ASSY	1
4	93301-51050518000	CG125D双联齿轮垫圈10.5×0.5×18	GEAR CONNECTED WASHER 10.5×0.5×18	4
5	2140A-I008-0103	CG125D-2#双联齿轮组合(一)带含油轴承	GEAR,CONNECTED,1	1
6	21401-I008-1100	CG125D-4#双联齿轮(二)含油轴承专用	GEAR,CONNECTED,2	1

