

Table header with columns: 序号/S.N, Part Number, Chinese Name, Part Name, Condition, Quantity

E-1 气缸头(缸体/CYLINDER HEAD/CYLINDER BODY)

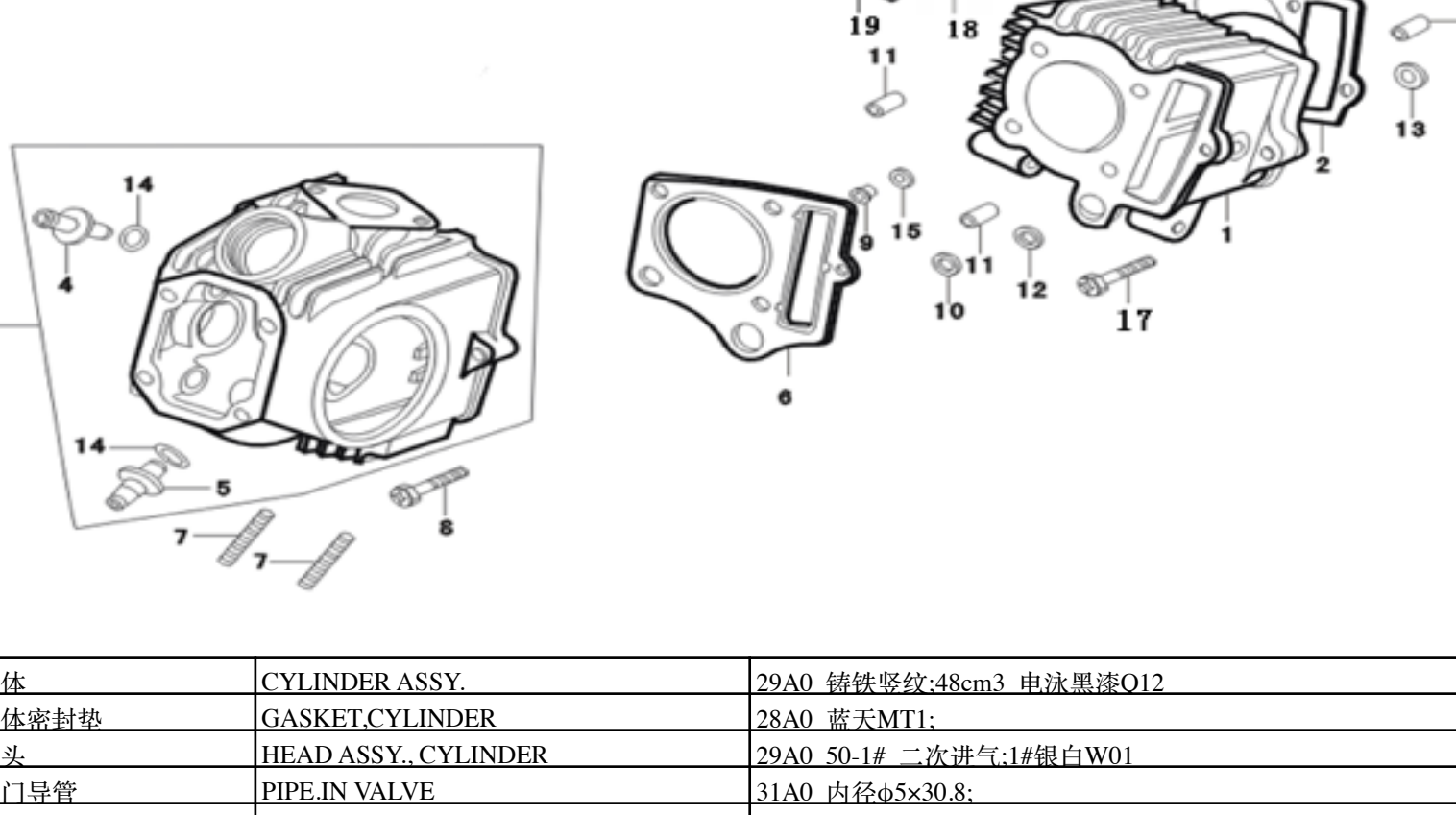


Table listing parts for E-1, including items like 气缸体, 气缸盖, 火花塞, and various gaskets and rings.

E-2 气缸头盖 (COVER,CYLINDER HEAD)

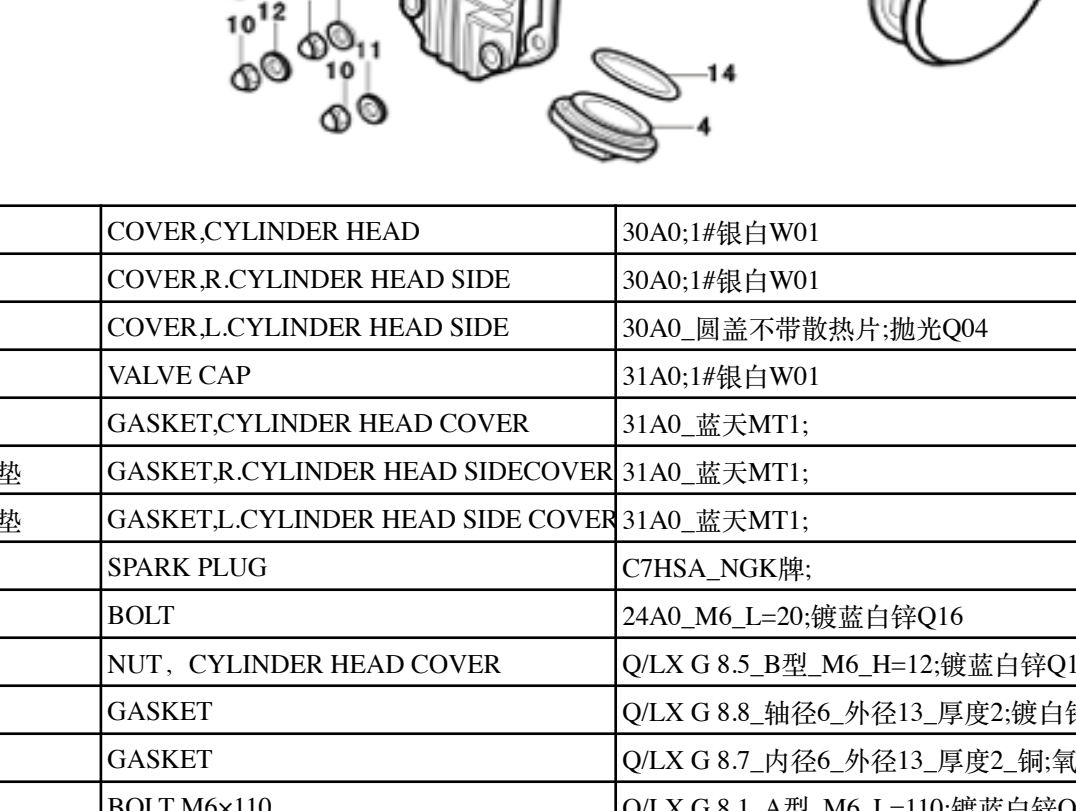


Table listing parts for E-2, including items like 气缸头盖, 气缸头右侧盖, 气门盖, and various seals and gaskets.

E-3 气门组件 (CAMSHAFT/VALVE)



Table listing parts for E-3, including items like 挡油罩, 凸轮轴组合, 气门摇臂组合, and various valves and springs.

E-4 右曲轴箱盖 (RIGHT CRANKCASE COVER)



Table listing parts for E-4, including items like 右曲轴箱盖, 右曲轴箱盖密封垫, 机油尺, and various gaskets and pins.

E-5 曲轴箱体/机油泵 (CRANKCASE/OIL PUMP)

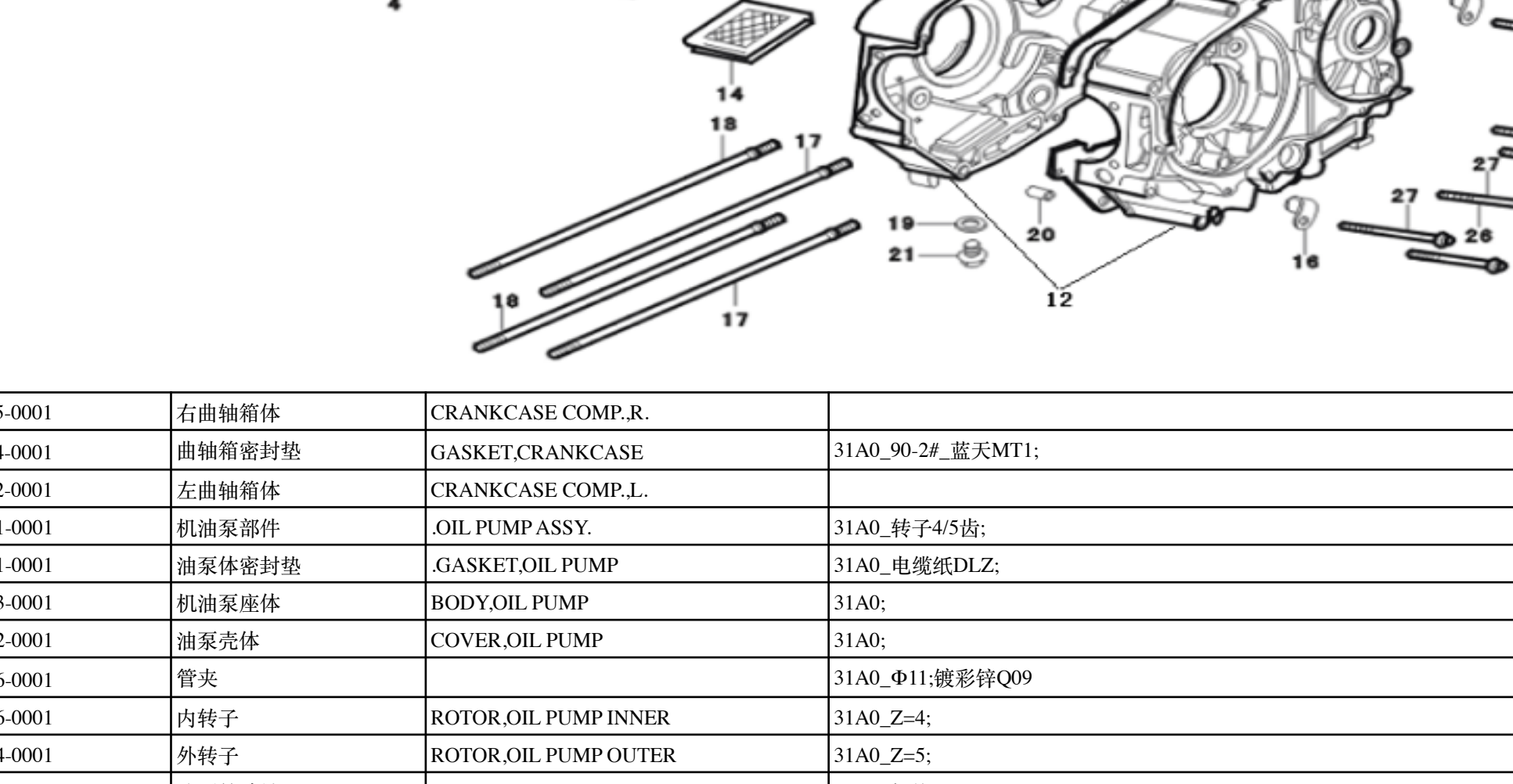


Table listing parts for E-5, including items like 右曲轴箱体, 曲轴箱密封垫, 机油泵, and various filters, tubes, and pumps.

E-6 离合器 (CLUTCH)



Table listing parts for E-6, including items like 离合器套件, 六角螺母, 平衡圈, and various components of the clutch mechanism.

E-7 磁电机/左曲轴箱盖 (GENERATOR/LEFT CRANKCASE COVER)



Table listing parts for E-7, including items like 密封圈, 磁电机定子, 磁电机转子, and various covers and components.

E-8 活塞/曲轴 (PISTON/CRANKSHAF COMP)



Table listing parts for E-8, including items like 活塞环组合, 曲柄连杆组件, 活塞销, and various pins and bearings.

E-9 主轴副轴(MAINSHAFT/COUNTERSHAFT ASSY)



Table listing parts for E-9, including items like 主副轴套件, 弹性挡圈, 主轴, and various gears and bearings.

E-10 链条张紧器 (CAM CHAIN/TENSIONER)



Table listing parts for E-10, including items like 正时链条, 油泵链轮轴, 链条张紧臂组合, and various rollers and guides.

E-11 启动装置 (KICK STARTER SPINDLE)



Table listing parts for E-11, including items like 启动电机组件, MOTOR ASSY, STARTER.