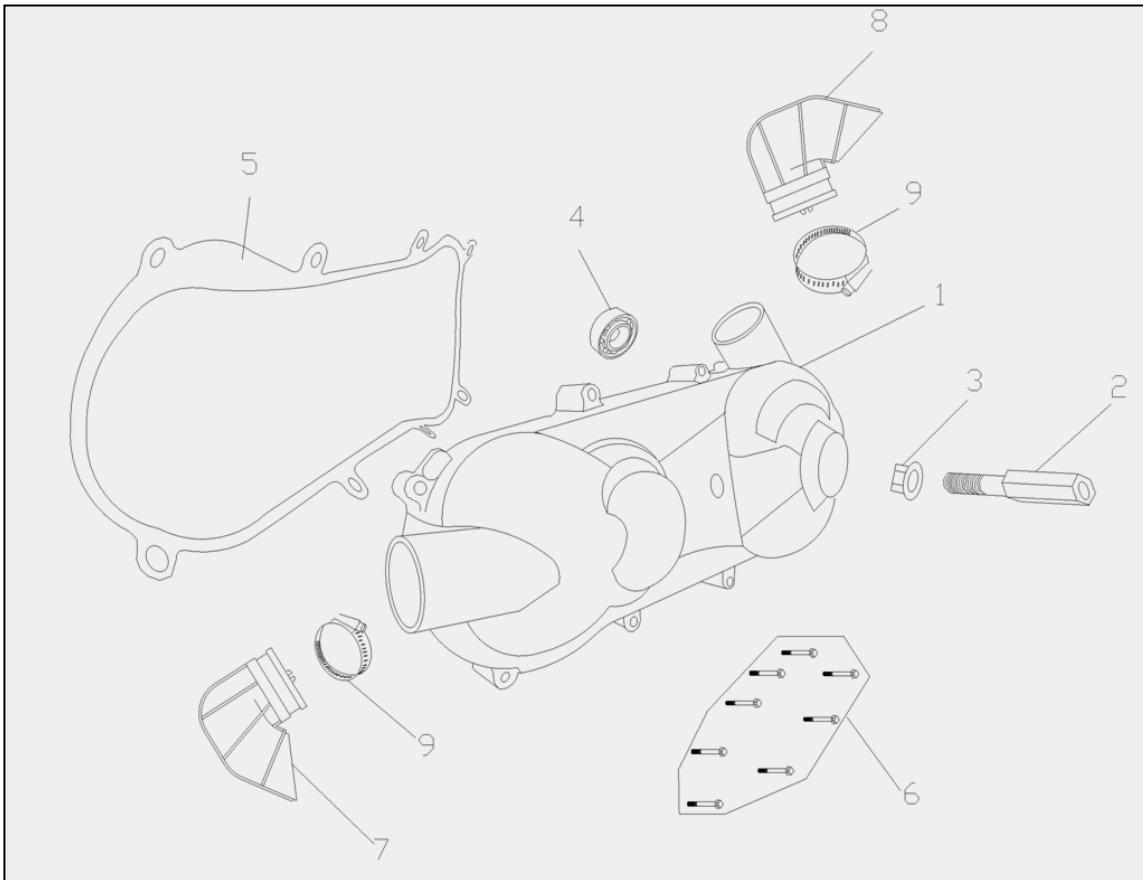
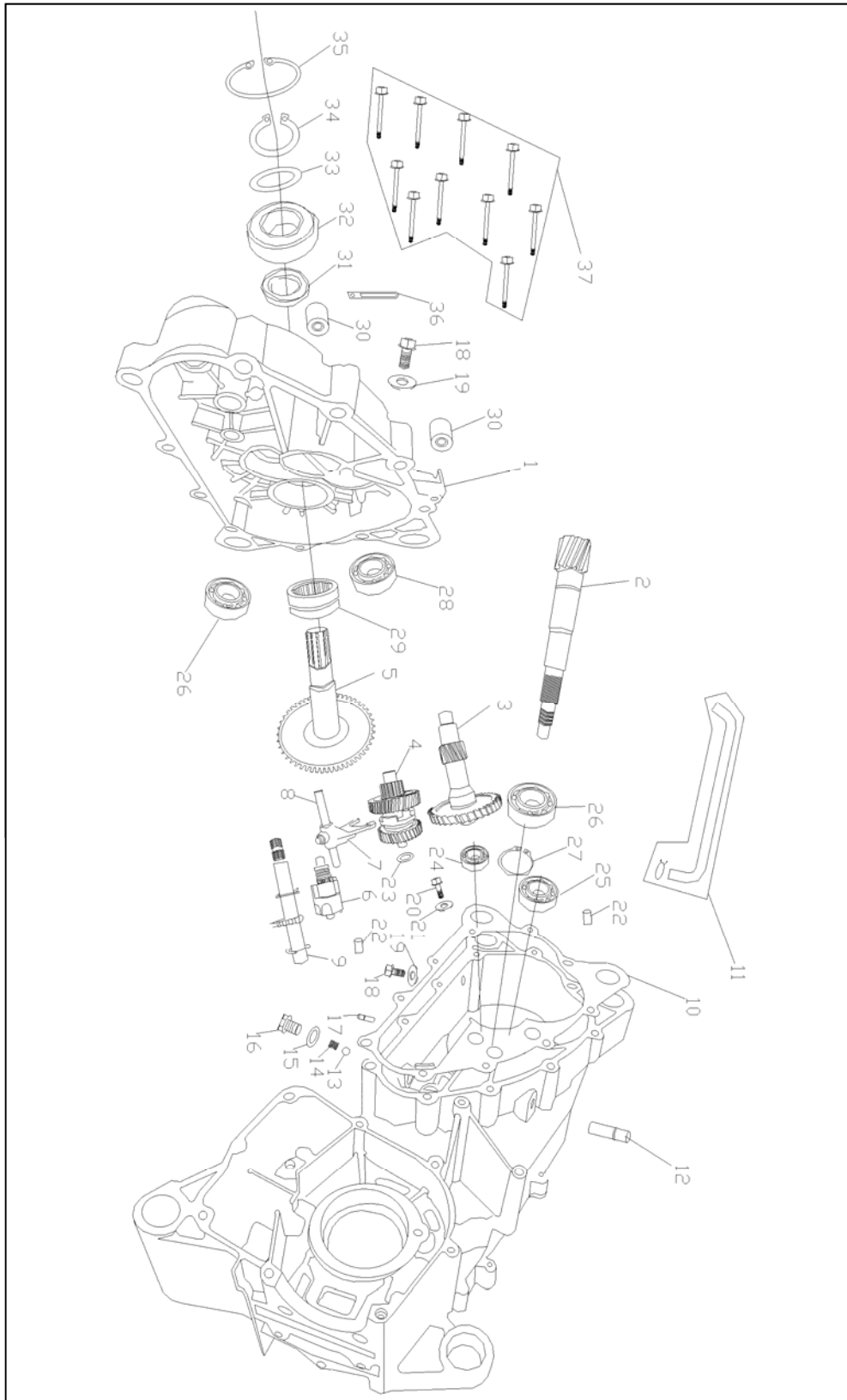
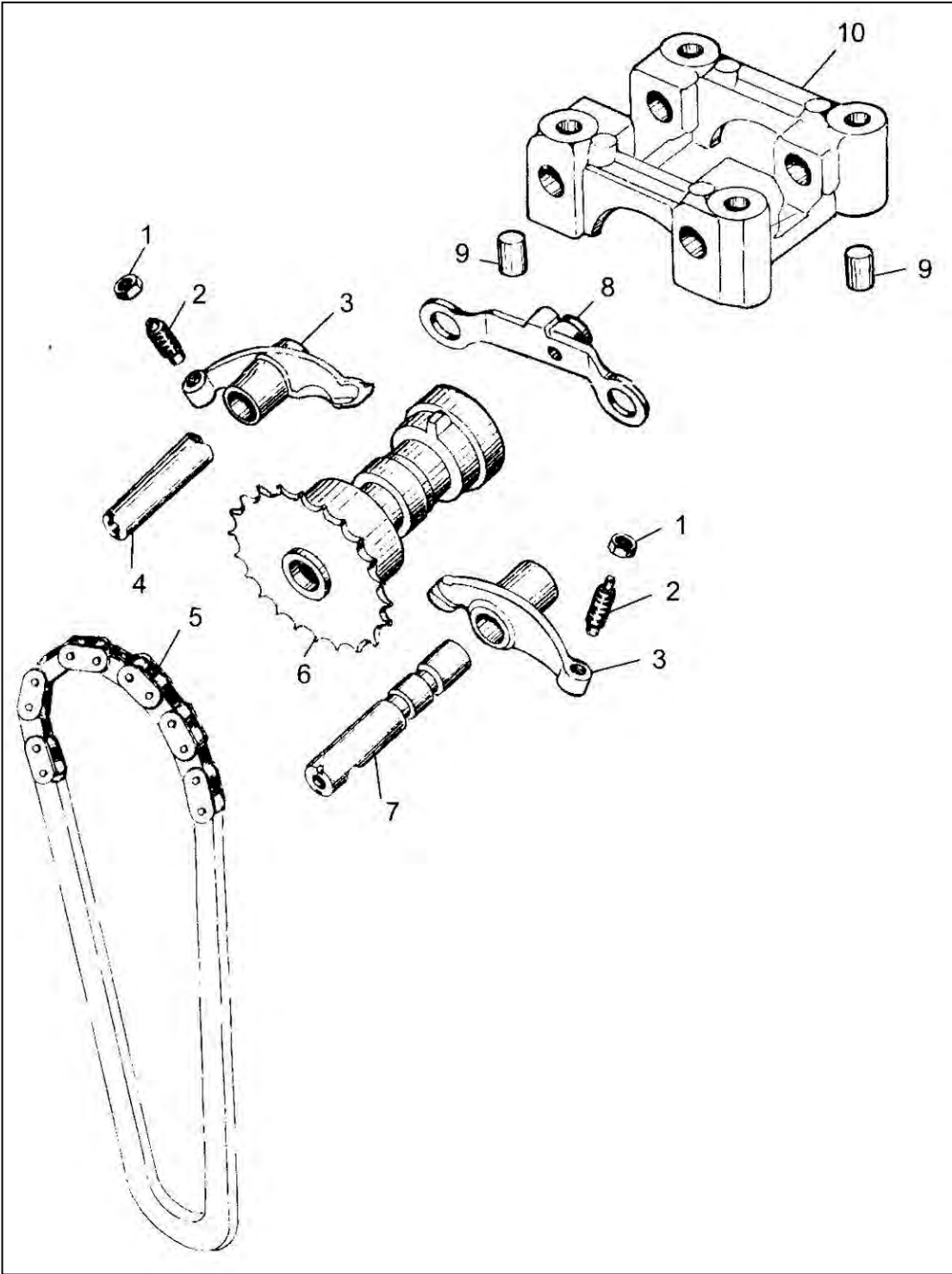
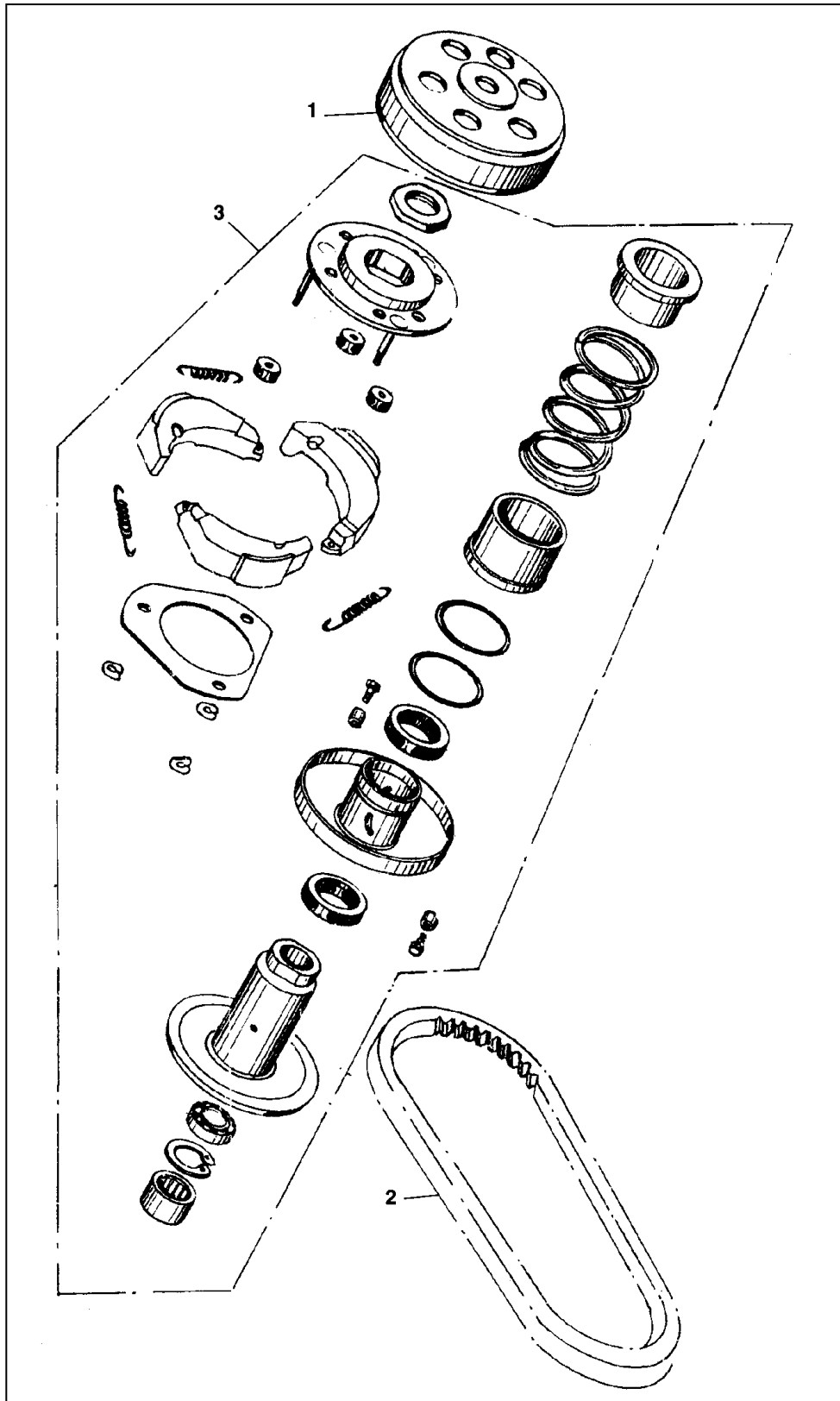


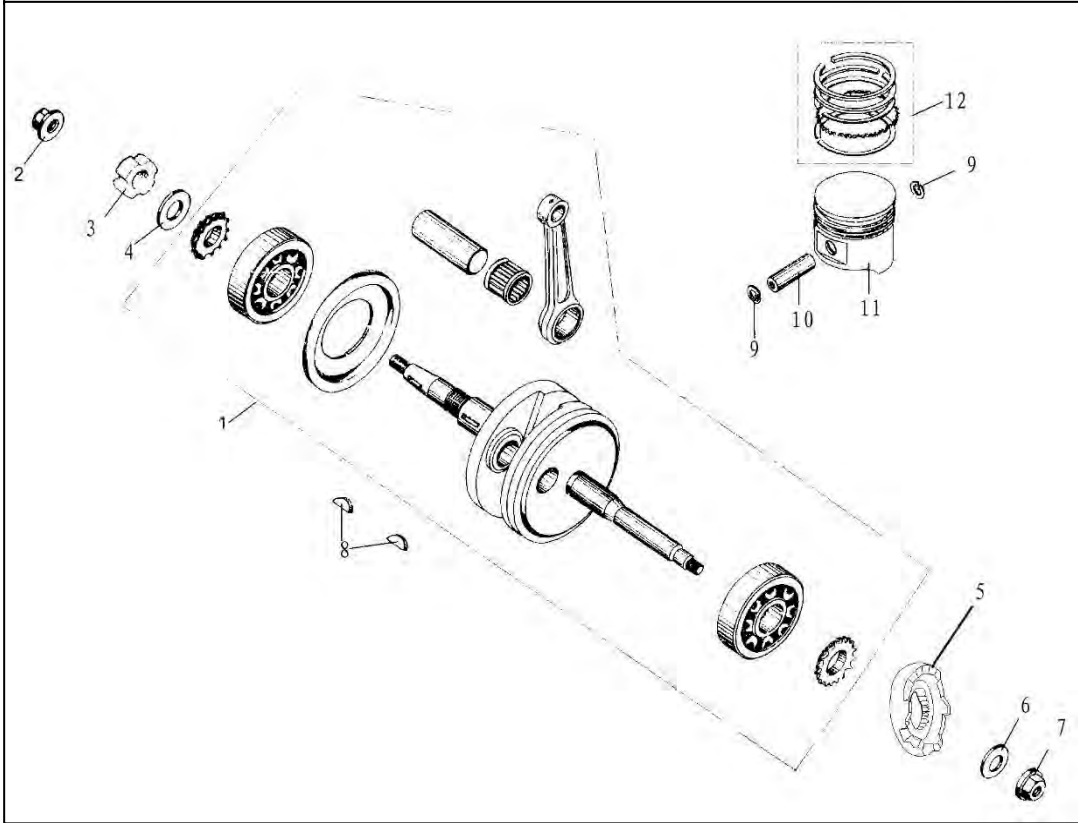
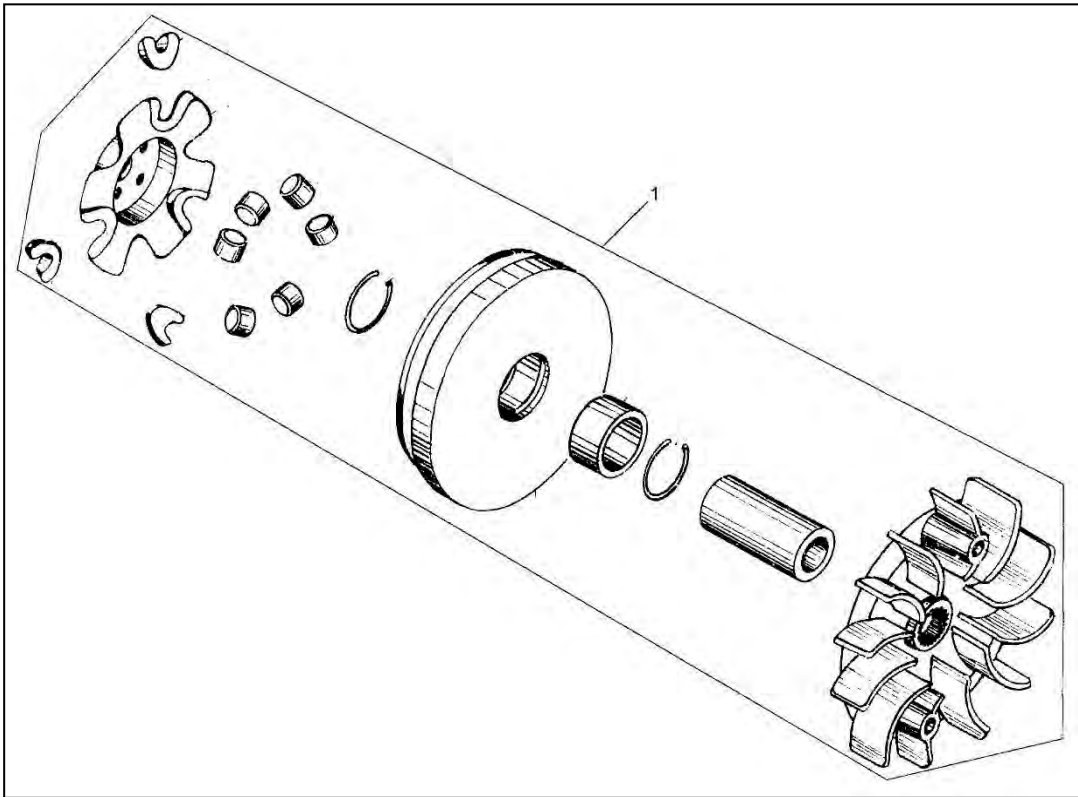
UTV150 Engine Assembly Parts Breakdown

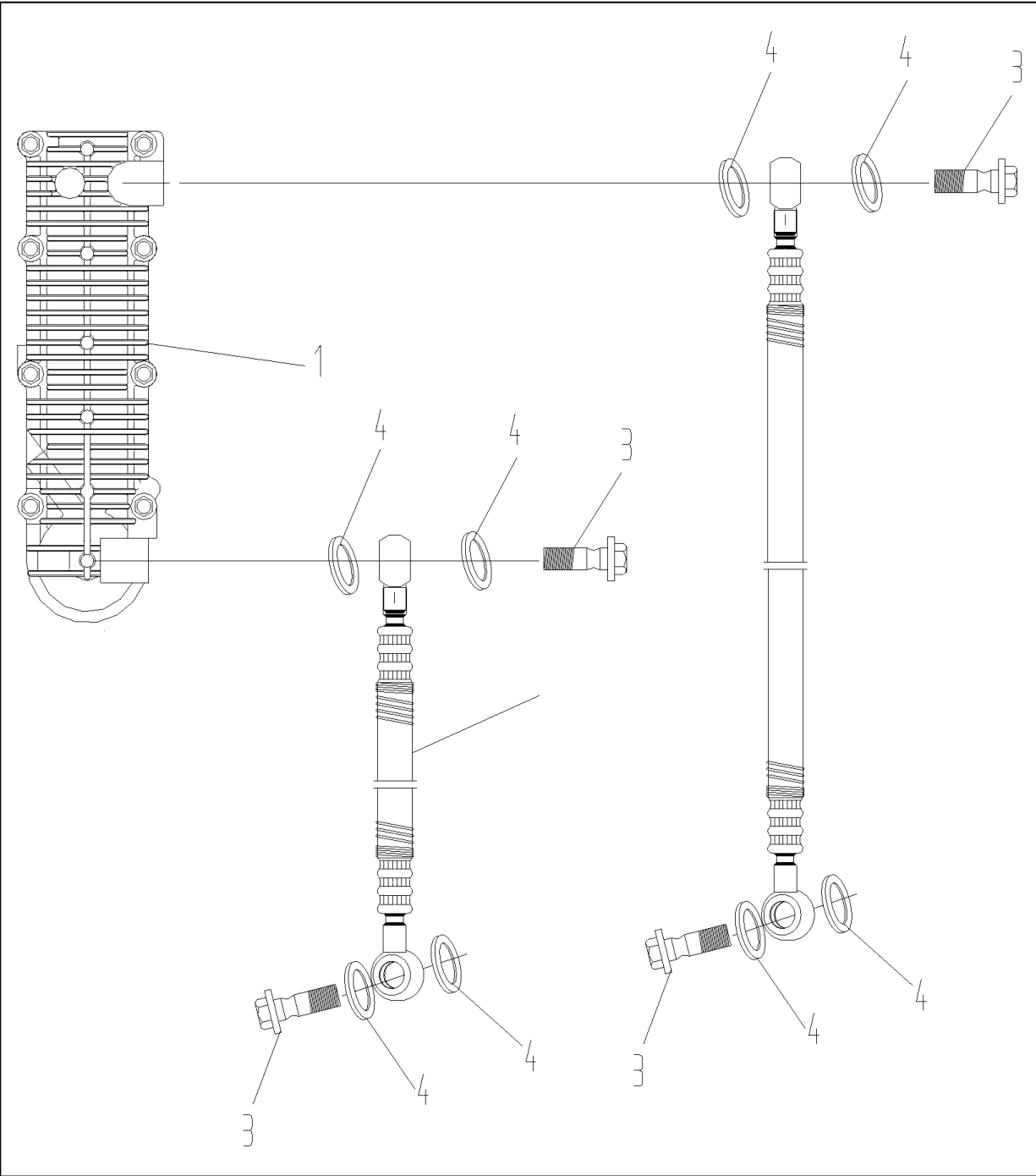


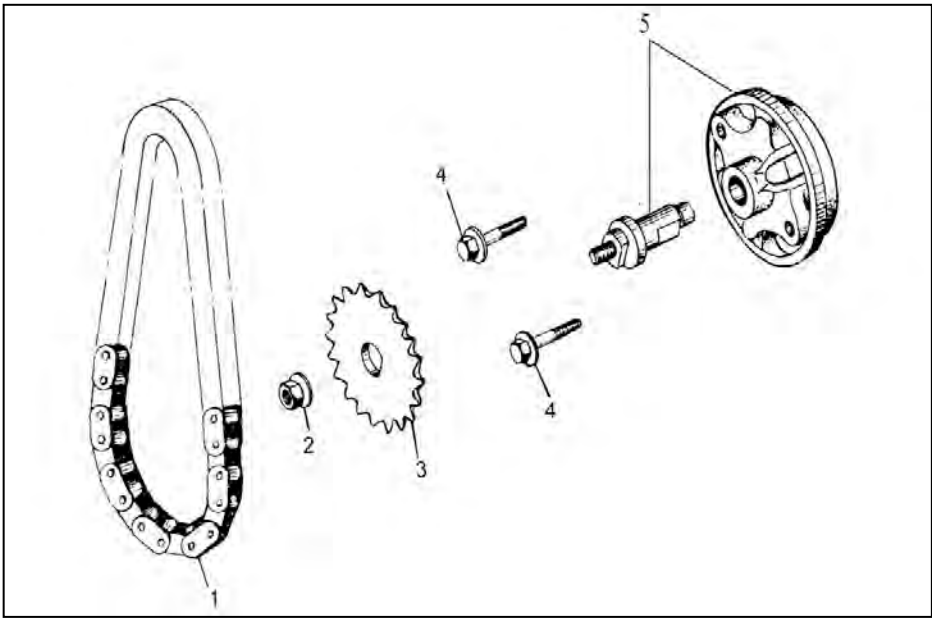
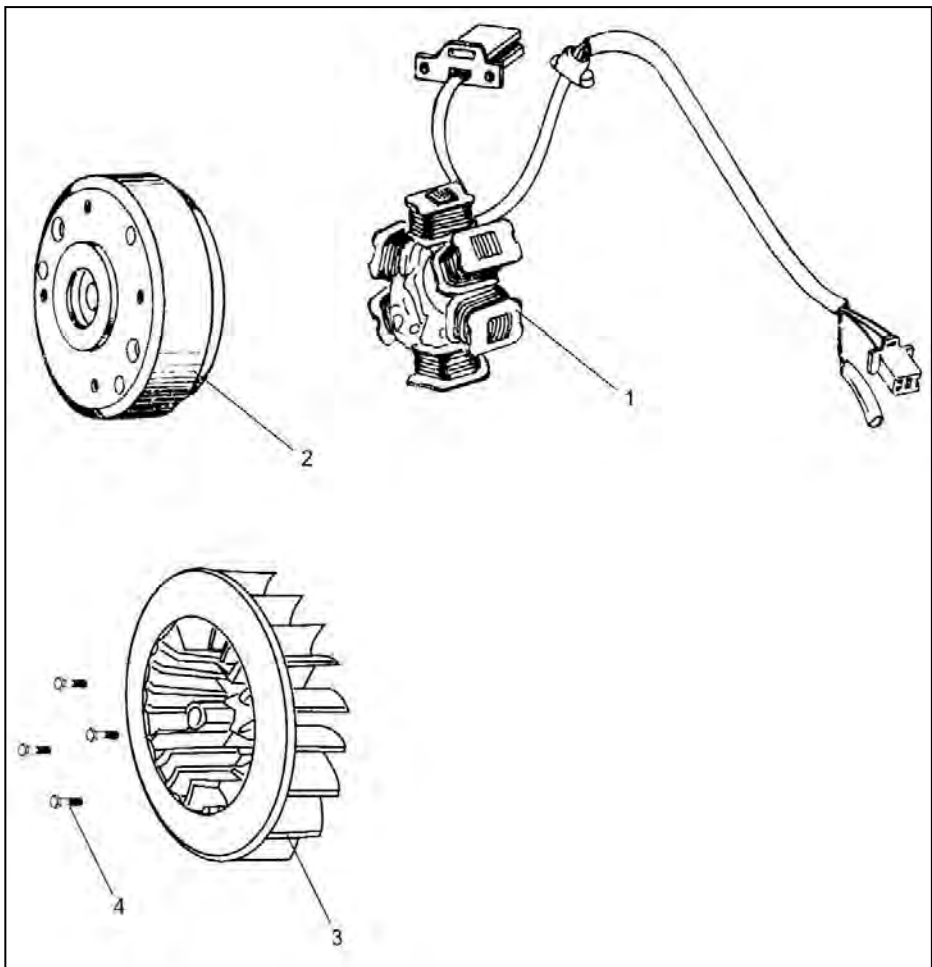


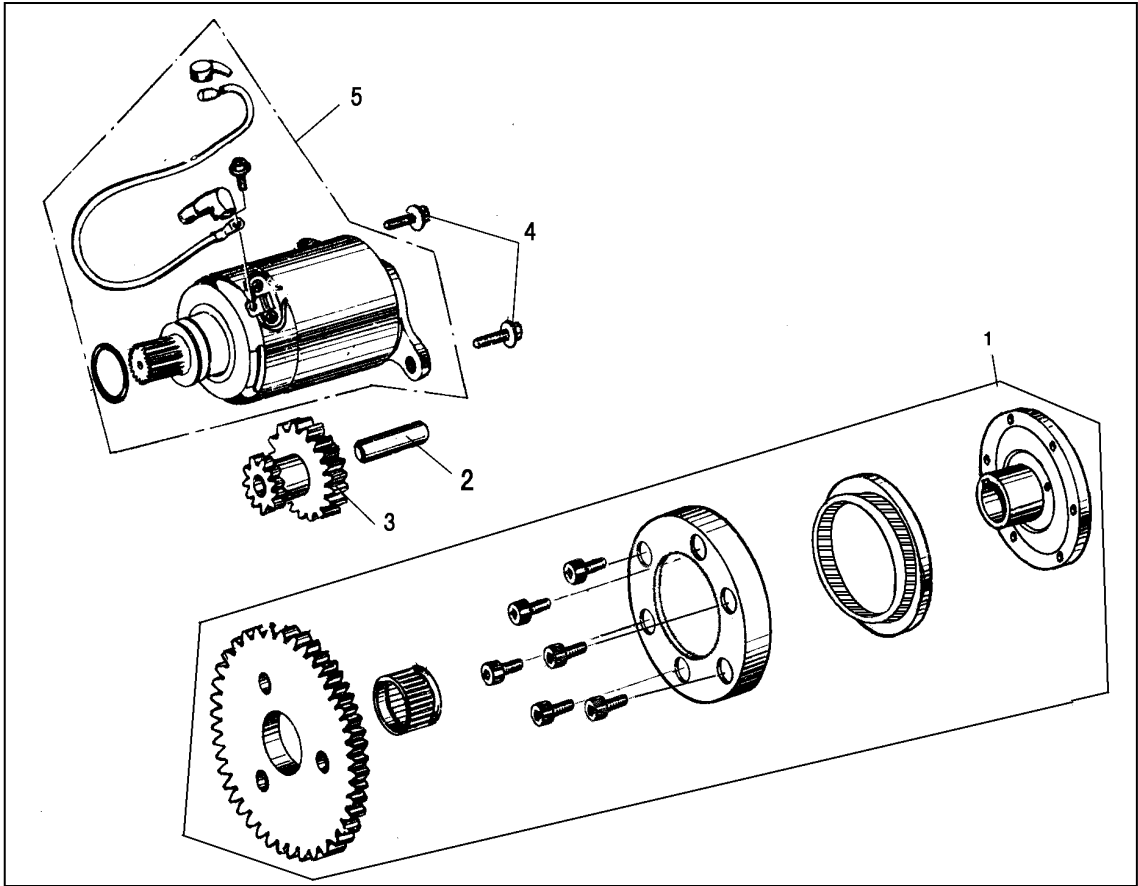
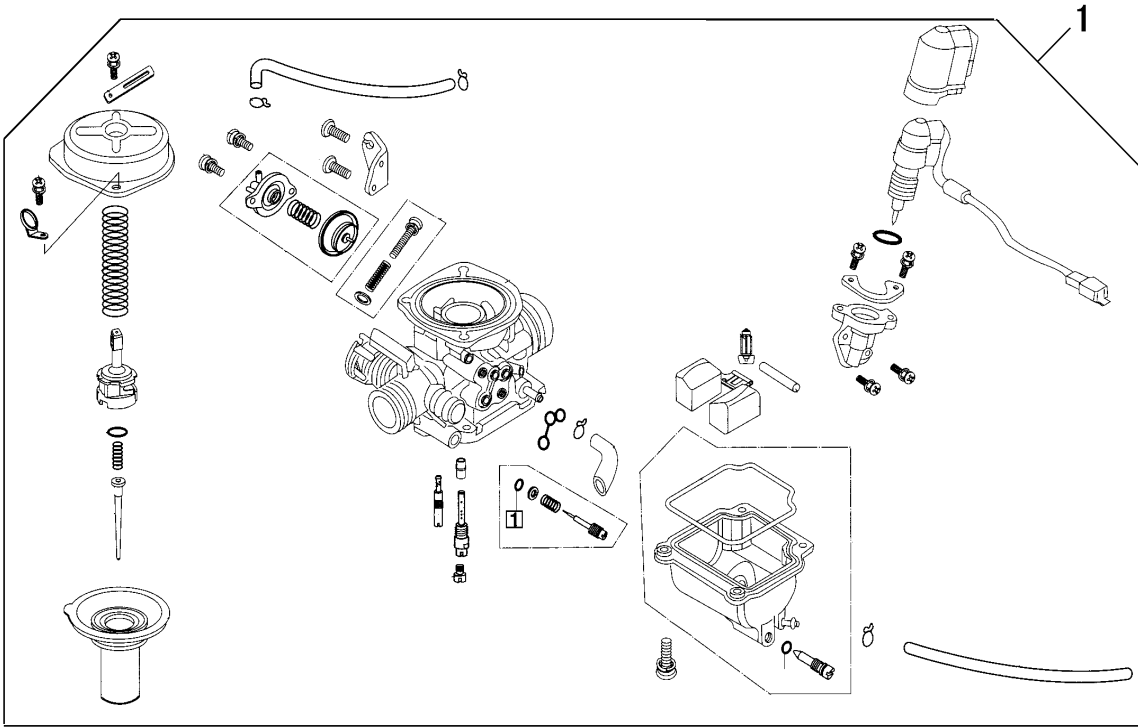












箱体 Engine Case Assembly

No	Ref No	Description in Chinese	Description	QTY	Unit	Unit price
1	157.03.002	右箱体	Right case	1	1	
2	157F.12.114	减震套	Shock absorption cover	2	1	
3	152.12.301	曲轴箱垫片	Crankcase Washer	1	1	
4	157F.03.001	左曲轴箱体	Left crankcase	1	1	
5	157F.12.118	防尘胶塞	Dust-proof rubber plug	1	1	
6	157F.111.207	密封螺栓	Bolt	1	1	
7	157F.11.405	垫圈10.2×18×1.3	Washer10.2×18×1.3	1	1	
8	157F.03.006	小左盖	Left Cover	1	1	
9	157F.12.107	O环108×2	O ring 108×2	1	1	
10	157F.02.603	拉力杆固定销	stop pin	1	1	
11	157F.12.115	O环6×1.8	O ring 6×1.8	2	1	
12	152.12.101	油封19.8×30×5	Dust seal 19.8×30×5	1	1	
13	GB/T16674	六角法兰螺栓M6×18	Hexagon flange bolts M6×18	12	1	
14	157F.11.517	定位销10×14	Dowel pin 10×14	2	1	
15	152.11.205	放油螺塞M12×1.5	Drain plug M12×1.5	1	1	
16	GB97.1	垫圈12	Washer 12	1	1	
17	152.12.102	油封20×32×6	Dust seal 20×32×6	1	1	
18	152.02.601	链条拉力杆	Chain tension rod	1	1	
19	152.11.515	定位销8×14	Dowel pin 8×14	2	1	
20	152.11.204	双头螺栓M8×195.5	Stud bolt M8×195.5	2	1	
21	152.11.203	双头螺栓M8×187.5	Stud bolt M8×187.5	2	1	
22	GB97.2	垫圈8	Washer 8	4	1	
23	GB6177	螺母M8	Nut M8	4	1	
24	GB/T16674	六角法兰螺栓M6×50	Hexagon flange bolts M6×50	2	1	
25	152.09.001	机油分隔板	Division plate	1	1	
26	GB/T16674	螺栓M6×12	Bolt M6×12	2	1	

侧盖总成 Side cover assembly

No	Ref No	Description in Chinese	Description	QTY	Unit	Unit price
1	157F.03.003	左曲轴箱盖	Left crankcase cover	1	1	
2	TJ157F.11.530	排气管支杆	Exhaust pipe strut	1	1	
3	GB6187	自锁螺母M12×1.25	Self-locking nut M12×1.25	1	1	
4	GB/T276	轴承6200—2RZ	Bearing 6200—2RZ	1	1	
5	157F.12.302	左箱盖纸垫	Paper washer	1	1	
6	GB/T16674	螺栓M6×40	Bolt M6×40	8	1	
7	157F.12.121	吸风管A	suction tube A	1	1	
8	157F.12.122	吸风管B	suction tube B	1	1	
9	157F.11.601	吸风管卡箍	Hoop	2	1	

右盖 Right cover

No	Ref No	Description in Chinese	Description	QTY	Unit	Unit price
1	157F.03.004	右箱盖	Right crankcase cover	1	1	
2	152.12.303	右箱盖纸垫	Paper washer	1	1	
3	152.09.002	油滤网螺帽盖	Screw cup	1	1	
4	152.09.003	油滤网	Oil strainer screen	1	1	
5	152.09.004	油滤网弹簧	Spring	1	1	
6	152.12.201	机油尺	Dipstick	1	1	
7	152.11.508	磁电机线夹	Magneto clamp	1	1	
8	152.12.101	油封19.8×30×5	Dust seal 19.8×30×5	1	1	
9	152.12.110	O形圈30.8	O ring 30.8	1	1	
10	152.12.108	O形圈18×3	O ring 18×3	1	1	
11	152.11.515	定位销8×14	Dowel pin 8×14	2	1	
12	GB/T16674	螺栓M6×28	Bolt M6×28	1	1	
13	GB/T16674	螺栓M6×95	Bolt M6×95	4	1	
14	GB/T16674	螺栓M6×100	Bolt M6×100	1	1	
15	GB/T16674	螺栓M6×110	Bolt M6×110	2	1	
16	GB/T16674	螺栓M6×35	Bolt M6×35	1	1	
17	GB/T16674	螺栓M6×25	Bolt M6×25	2	1	
18	GB5783	螺栓M5×12	Bolt M5×12	2	1	

风扇导风罩 Fan

No	Ref No	Description in Chinese	Description	QTY	Unit	Unit price
1	152.05.002	风扇蜗壳体组合	volute body	1	1	
2	157A.12.305	风扇罩隔板	Division plate	1	1	
3	152.12.118	冷却导管	cooling duct	1	1	
4	152.05.004	下导风罩组合	Under exhaust hood	1	1	
5	152.12.117	下导风罩密封条	Sealing strip	1	1	
6	152.05.003	上导风罩组合	Upper exhaust hood	1	1	
7	152.12.203	高压线夹	wire clamp	1	1	
8	152.12.116	上导风罩密封条	Sealing strip	1	1	
9	GB/T16824.2	自攻螺钉ST4.8×16	Self-tapping screw ST4.8×16	4	1	
10	GB/T16674	螺栓M6×25	Bolt M6×25	3	1	
11	GB845	自攻螺钉ST3.8×11	Self-tapping screw ST3.8×11	3	1	

传动齿轮 Transmission gear

No	Ref No	Description in Chinese	Description	QTY	Unit	Unit price
1	157F.03.005	齿轮箱盖	Gear box cover	1	1	
2	157F.10.401	驱动轴	Drive Shaft	1	1	
3	157F.10.411	倒挡轴总成	Reversing shaft	1	1	
4	157F.10.420	换挡轴组合	Shift shaft	1	1	
5	157F.10.402	输出轴	Output shaft	1	1	
6	157F.10.420	变速鼓组合	Gear Shift Drum	1	1	
7	157F.10.403	拨叉	Shift fork	1	1	
8	157F.10.404	拨叉轴	Fork shaft	1	1	
9	157F.10.440	挂挡轴总成	Shift fork shaft	1	1	
10	157F.12.305	齿轮箱盖纸垫	Paper washer	1	1	
11	157F.12.113	齿轮箱通气管	Breather tube	1	1	
12	157F.11.523	齿轮箱通气嘴	Breather mouth	1	1	
13	GB/T308	钢珠sΦ9.5	Steel ball sΦ9.5	1	1	
14	157F.10.410	变速鼓定位弹簧	Spring	1	1	
15	157F.11.407	垫圈14.2×22×1.3	Washer 14.2×22×1.3	1	1	
16	157F.10.409	变速鼓定位螺栓	Bolt	1	1	
17	157F.11.524	箱体排污嘴	Outfall	1	1	
18	152.11.205	放油螺塞M12×1.5	Drain plug	2	1	
19	GB97.1	垫圈12	Washer 12	2	1	
20	GB/T16674	螺栓M6×12	Bolt M6×12	1	1	
21	157F.11.408	大垫圈6	Washer 6	1	1	
22	157F.11.517	定位销10×14	Dowel pin 10×14	2	1	
23	157F.10.427	调整垫圈15	Adjusting washer 15	1	1	
24	GB/T276	轴承6202	Bearing 6202	1	1	
25	GB/T276	轴承6203	Bearing 6203	1	1	
26	GB/T276	轴承6204	Bearing 6204	2	1	
27	GB/T894.1	轴用弹性挡圈Φ20	Snap ring Φ20	1	1	
28	GB/T276	轴承6302	Bearing 6302	1	1	
29	GB/T5801	滚针轴承RNA4905	Needle bearing RNA4905	1	1	
30	157F.12.114	减震套	Shock absorption cover	2	1	
31	157F.12.103	油封30×40×6	Dust seal 30×40×6	1	1	
32	GB/T276	轴承6205—2RZ	Bearing 6205—2RZ	1	1	
33	157F.10.437	调整垫圈25	Adjusting washer 25	1	1	
34	GB/T894.1	轴用弹性挡圈Φ25	Snap ring Φ25	1	1	
35	GB/T893.1	孔用弹性挡圈Φ52	Snap ring Φ52	1	1	
36	157F.11.503	电缆线夹	Wire clamp	1	1	
37	GB5789	螺栓M6×40	Bolt M6×40	10	1	

气缸体 Cylinder block

No	Ref No	Description in Chinese	Description	QTY	Unit	Unit price
1	157.04.100	气缸	Cylinder	1	1	
2	152.12.304	气缸纸垫	Paper washer	1	1	
3	152.11.516	定位销10×16	Dowel pin 10×16	2	1	
4	152.09.003	链条调整器垫片	Washer	1	1	
5	152.02.400	链条调整器总成	Tensioner adjuster	1	1	
6	152.02.602	链条导件	Tensioner arm	1	1	
7	GB/T16674	螺栓M6×20	Bolt M6×20	1	1	

No	Ref No	Description in Chinese	Description	QTY	Unit	Unit price
1	157.04.200	气缸头	Cylinder head	1	1	
2	152.07.200	火花塞 (C7HSA NGK)	Spark plug (C7HSA NGK)	1	1	
3	157.04.401	缸头垫片	Washer	1	1	
4	152.12.307	隔热板垫片	Washer	1	1	
5	152.08.201	化油器隔热板	Heat insulation plate	1	1	
6	152.08.200	进气管总成	Intake pipe	1	1	
7	152.08.210	进气管卡箍组合	Hoop	1	1	
8	152.12.111	缸头盖胶圈	Rubber ring	1	1	
9	152.12.109	O型圈27×2	O ring 27×2	1	1	
10	152.12.112	缸头盖通气管	Breather pipe	1	1	
11	152.11.201	双头螺栓M6×32	Stud bolt M6×32	2	1	
12	152.11.202	双头螺栓M6×63	Stud bolt M6×63	2	1	
13	GB/T16674	螺栓M6×25	Bolt M6×25	4	1	
14	GB6177	螺母M6	Bolt M6	2	1	
15	152.04.301	气缸头盖	Cylinder Head Cover	1	1	
16	152.11.516	定位销10×16	Dowel pin 10×16	2	1	
17	GB/T16674	螺栓M6×100	Bolt M6×100	2	1	
18	157.02.301	进气门	Air scoop	1	1	
19	152.12.104	气门油封	Stem seal	2	1	
20	152.02.306	气门弹簧座	Spring seat	2	1	
21	152.02.303-304	气门弹簧	Valve spring	2	1	
22	152.02.305	气门弹簧保持器	Valve spring retainer	2	1	
23	152.02.307	气门锁夹	Cotter	4	1	
24	157.02.302	排气门	Releaser	1	1	

正时系统 Timing System

No	Ref No	Description in Chinese	Description	QTY	Unit	Unit price
1	152.02.106	气门调节螺母	Adjusting nut	2	1	
2	152.02.105	气门间隙调整螺钉	Valve clearance adjusting screw	2	1	
3	152.02.102	气门摇臂	Rocket arm	2	1	
4	152.02.104	排气门摇臂轴	Releaser Weighshaft	1	1	
5	152.02.500	凸轮轴传动链条	Driving chain	1	1	
6	152.02.200	凸轮轴总成	Cam shaft	1	1	
7	152.02.103	进气门摇臂轴	Airscoop Weighshaft	1	1	
8	152.02.107	制动板组	Brake plate	1	1	
9	152.11.516	定位销10×16	Dowel pin 10×16	2	1	
10	152.02.101	凸轮轴固定座	Cam shaft holder	1	1	

从动轮 Driven wheel

No	Ref No	Description in Chinese	Description	QTY	Unit	Unit price
1	152.10.210	离合器外套组	Clutch cover	1	1	
2	152.10.300	皮带	Belt	1	1	
3	152.10.200	从动轮总成	Driven wheel assembly	1	1	

主动轮 Driving wheel

No	Ref No	Description in Chinese	Description	QTY	Unit	Unit price
1	157F.10.100	主动轮	Driving wheel	1	1	

曲轴活塞组

No	Ref No	Description in Chinese	Description	QTY	Unit	Unit price
1	157F.01.100	曲轴组合	Crankshaft	1	1	
2	GB6187	自锁螺母M12×1.25	Self-locking nut M12×1.25	1	1	
3	152.11.301	锁定螺母M22×1	Lock nut M22×1	1	1	
4	152.11.402	垫圈22×31×2.5	Washer 22×31×2.5	1	1	
5	157F.06.001	小棘轮	Small ratchet	1	1	
6	157F.11.403	垫圈15.2×25×2.3	Washer 15.2×25×2.3	1	1	
7	GB6177	螺母M12×1.25×11	Nut M12×1.25×11	1	1	
8	152.11.101	半圆键4×14	Woodruff key 4×14	2	1	
9	152.01.307	活塞销	Snap ring	2	1	
10	157.01.306	活塞销	Piston pin	1	1	
11	157.01.301	活塞	Piston	1	1	
12	157.01.302-305	活塞环	Piston ring	1	1	

油冷器总成 Oil cooler assembly

No	Ref No	Description in Chinese	Description	QTY	Unit	Unit price
1	157A.13.100	油冷器总成	Oil cooler assembly	1	1	
2	157A.13.007G	油冷器进油管	Inlet pipe	1	1	
3	157A.13.004	油冷器油管过油螺栓	Bolt	4	1	
4	157A.13.009	封油垫圈	Washer	8	1	
5	157A.13.008G	油冷器进油管	The sucker of Oil cooler	1	1	

磁电机 Magneto

No	Ref No	Description in Chinese	Description	QTY	Unit	Unit price
1	152.07.102	磁电机定子组	Magneto stator	1	1	
2	152.07.101	磁电机飞轮组件	Magneto flywheel	1	1	
3	152.05.001	风扇叶轮	Fan impeller	1	1	
4	GB/T16674	螺栓M6×18	Bolt M6×18	4	1	

机油泵 Oil pump

No	Ref No	Description in Chinese	Description	QTY	Unit	Unit price
1	152.09.200	机油泵链条	Oil pump chain	1	1	
2	GB6177	螺母M6	Nut M6	1	1	
3	152.09.005	机油泵链轮	Oil pump sprocket	1	1	
4	GB/T16674	螺栓M6×25	Bolt M6×25	2	1	
5	152.09.100	机油泵总成	Oil pump assembly	1	1	

化油器总成 Carburetor assembly

No	Ref No	Description in Chinese	Description	QTY	Unit	Unit price
1	157.08.100	化油器总成	Carburetor assembly	1	1	

电起动系统 Electric starting system

No	Ref No	Description in Chinese	Description	QTY	Unit	Unit price
1	152.06.100	超越离合器组合	One-way clutch	1	1	
2	152.06.003	电起动减速齿轮轴	Reduction gear shaft	1	1	
3	152.06.002	起动减速齿轮	Reduction gear	1	1	
4	GB/T16674	螺栓M6×16	Bolt M6×16	2	1	
5	152.07.500	起动电机	Starter Motor	1	1	

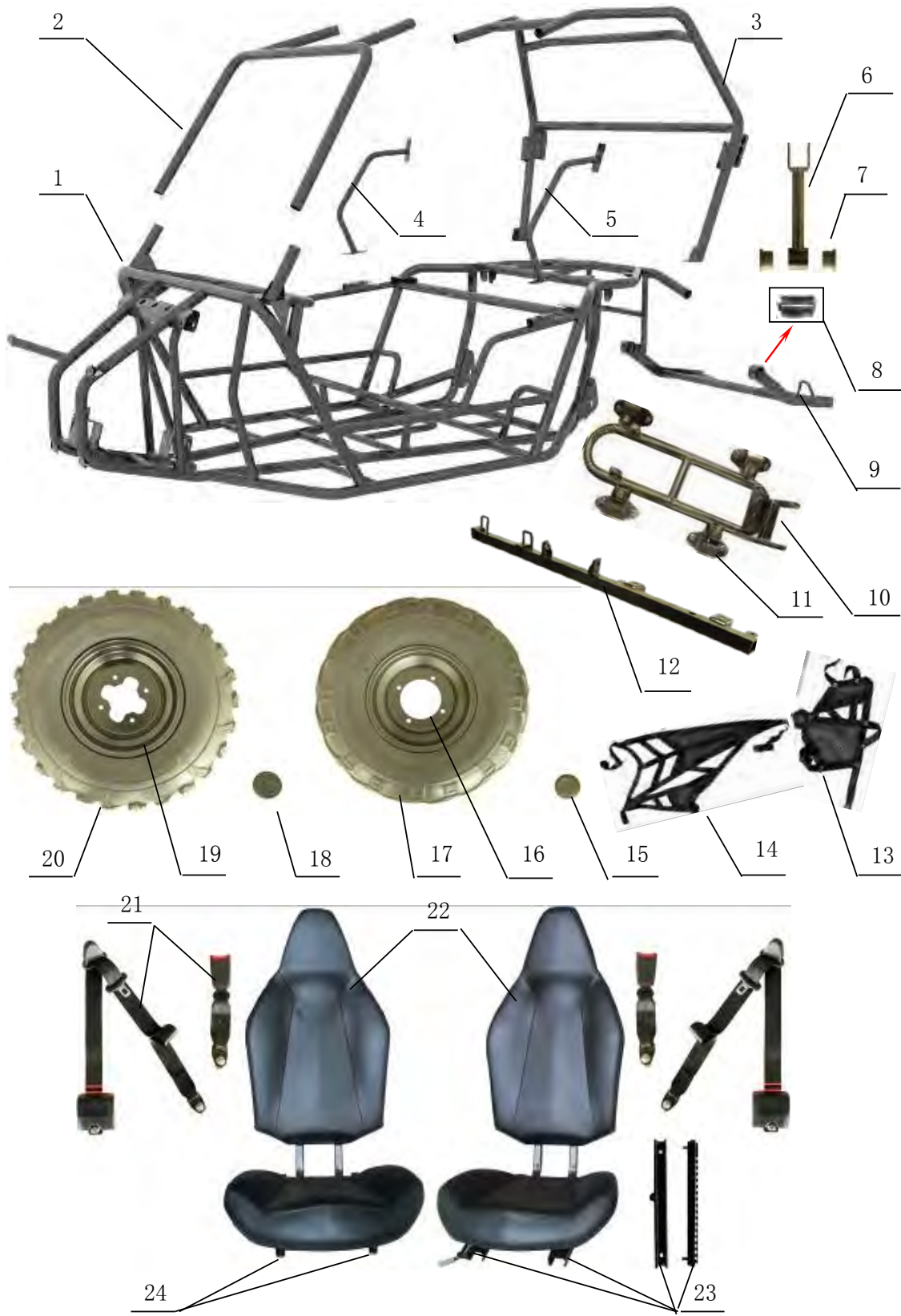
Transmission Parts Breakdown

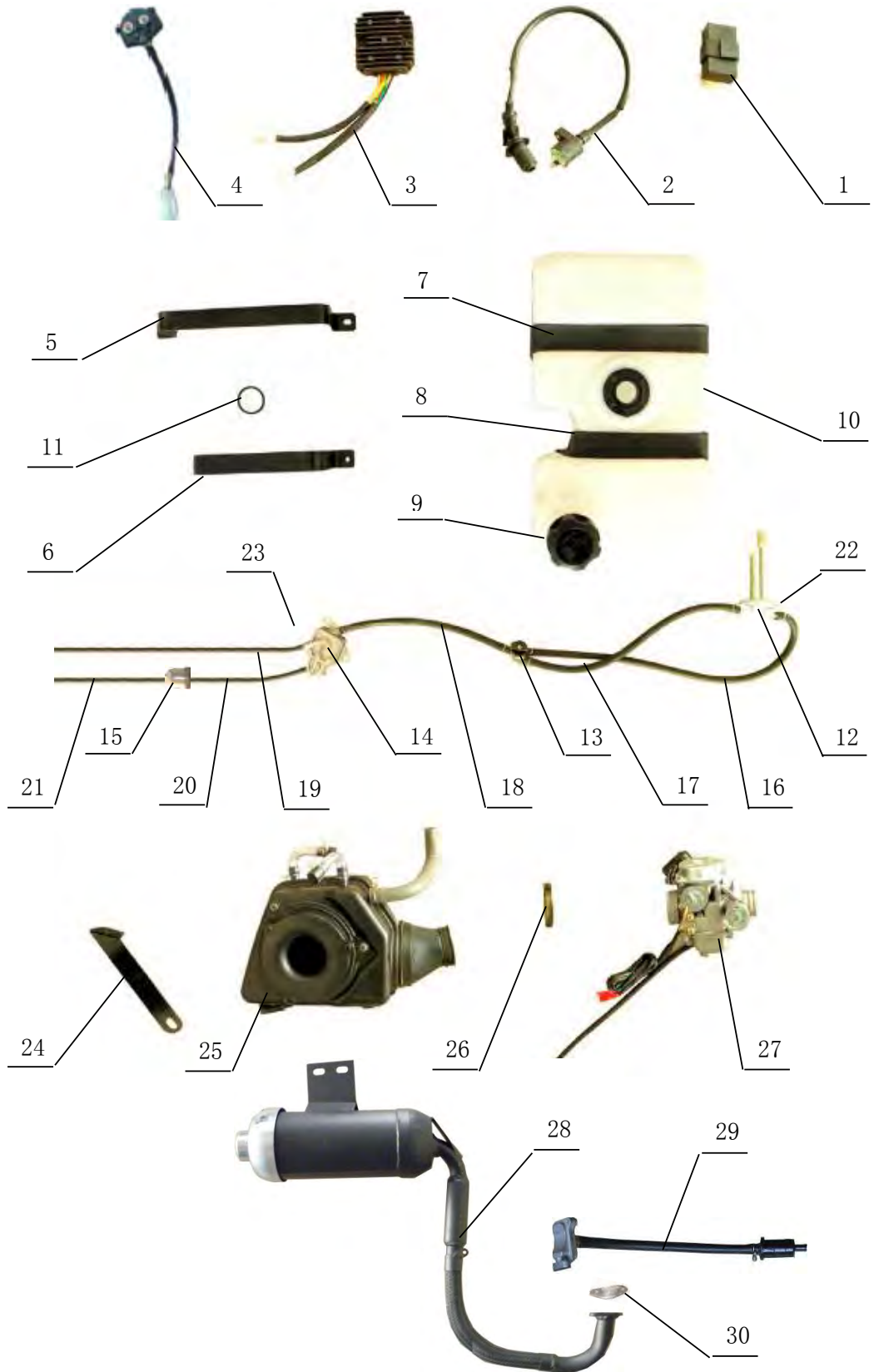


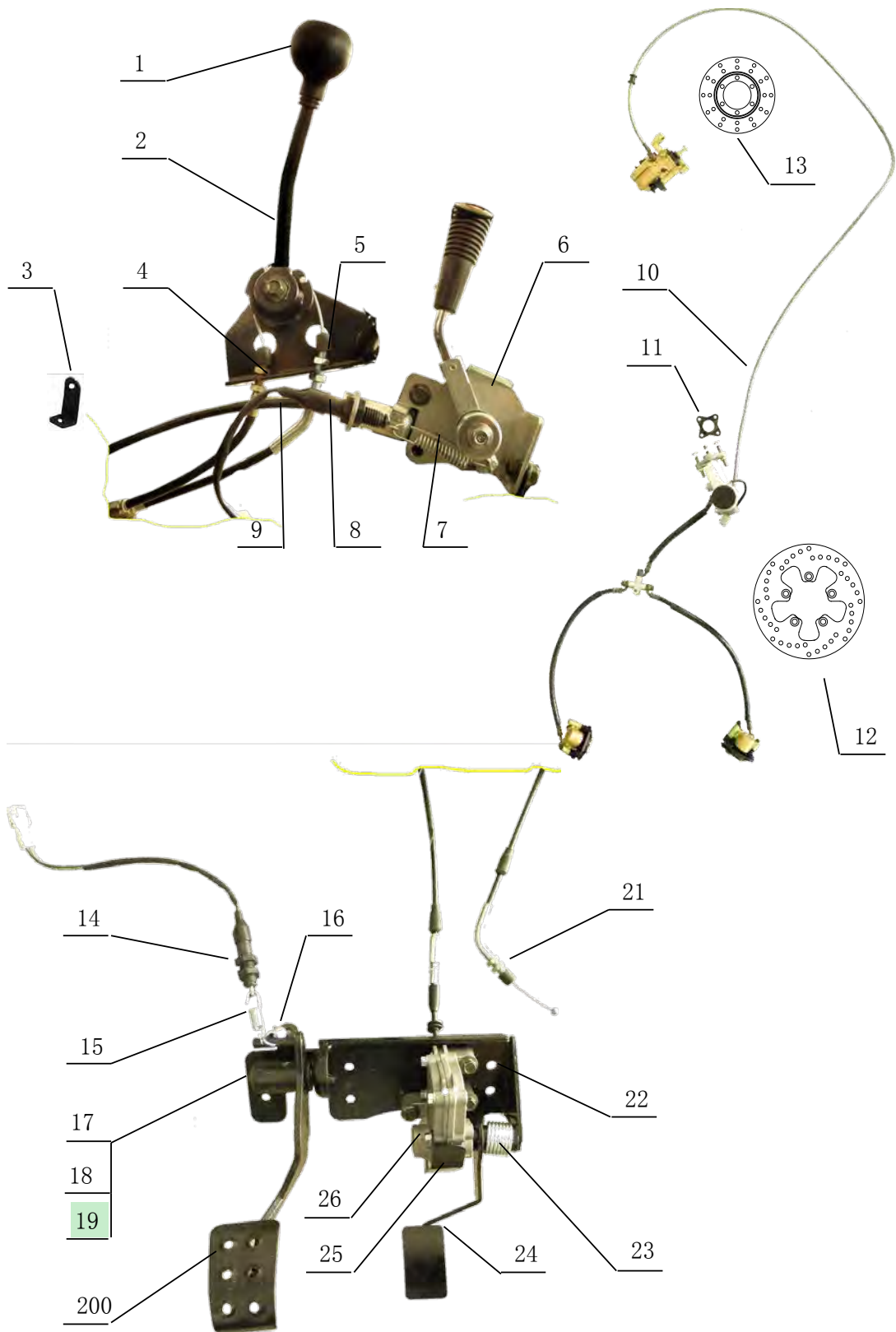
变速箱 Transmission

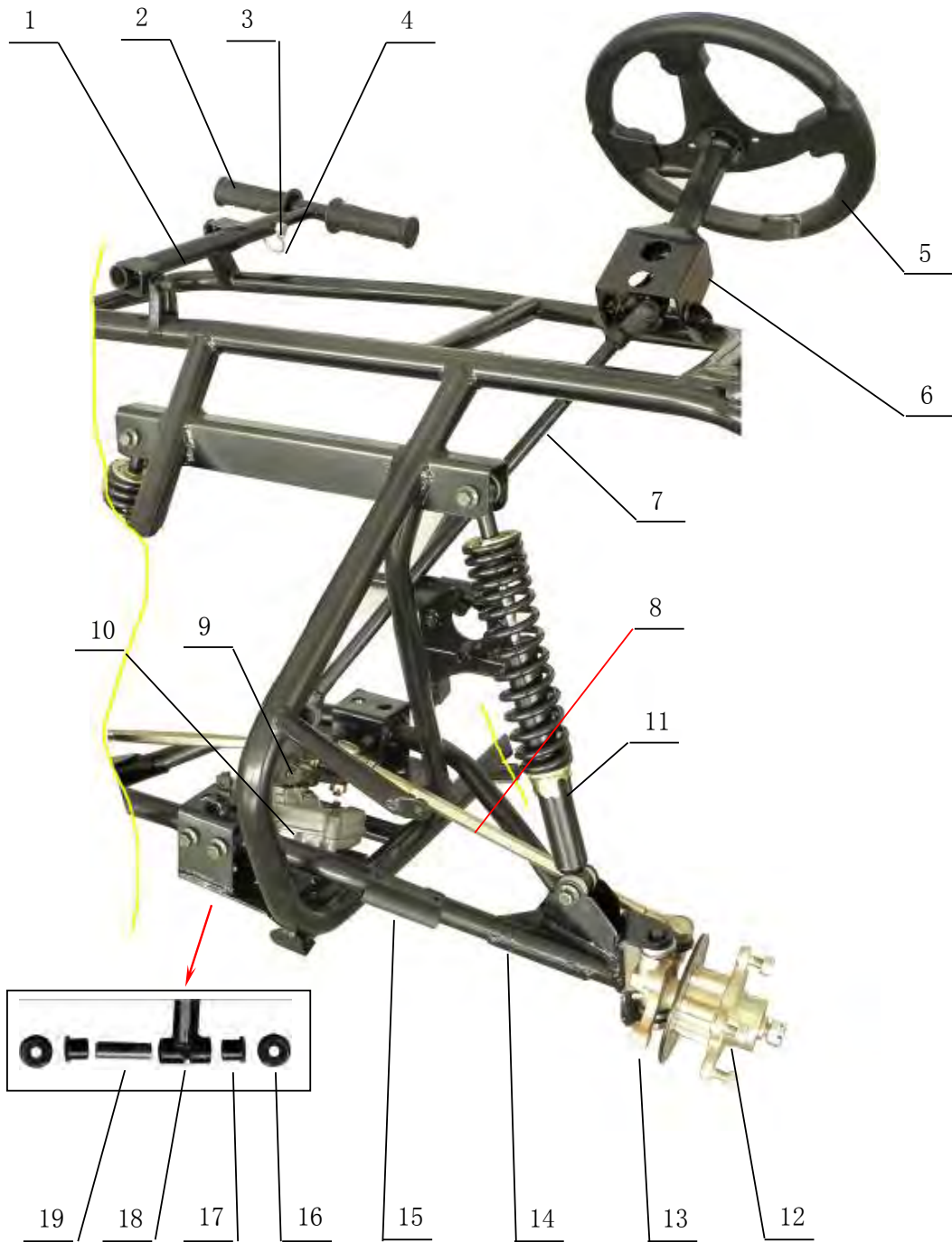
No	Ref No	Chinese	Description	QTY	Unit	Unit price
1	19-0203001	变速箱壳体	transmission housing	1	1	
2	19-0100502	减震套	shock absorption	1	1	
3	19-0203002	下减震套	lower shock absorption	1	1	
5	040141	油封 14x28x7	oil seal 14x28x7	1	1	
6	19-0203003	锁紧螺母	locknut	1	1	
7	060108	轴用卡簧 Φ25	clamp spring Φ25	1	1	
8	050128	轴承 6305-2RS	bearing 6305-2RS	1	1	
10	19-0203004	轴承座	bearing seat	1	1	
11	040140	油封 30x40x6	oil seal 30x40x6	1	1	
12	050103	轴承 6006	bearing 6006	1	1	
13	19-0203005	锥齿轮轴	bevel gear shaft	1	1	
14	19-0203006	输出轴	output shaft	1	1	
15	050127	轴承 RNA4905	bearing RNA4905	1	1	
16	050105	轴承 6205	bearing 6205	1	1	
17	19-0203007	锥齿轮	bevel gear	1	1	
18	19-0203008	压紧套	packing set	1	1	
20	19-0203009	加油螺栓	fuel loading bolt	1	1	
21	19-0203010	端盖	end closure	1	1	
22	080006	O型圈 62x3.1	62x3.1 O ring	1	1	
24	19-1100204	发动机变档摇臂	engine shift rocker arm	1	1	

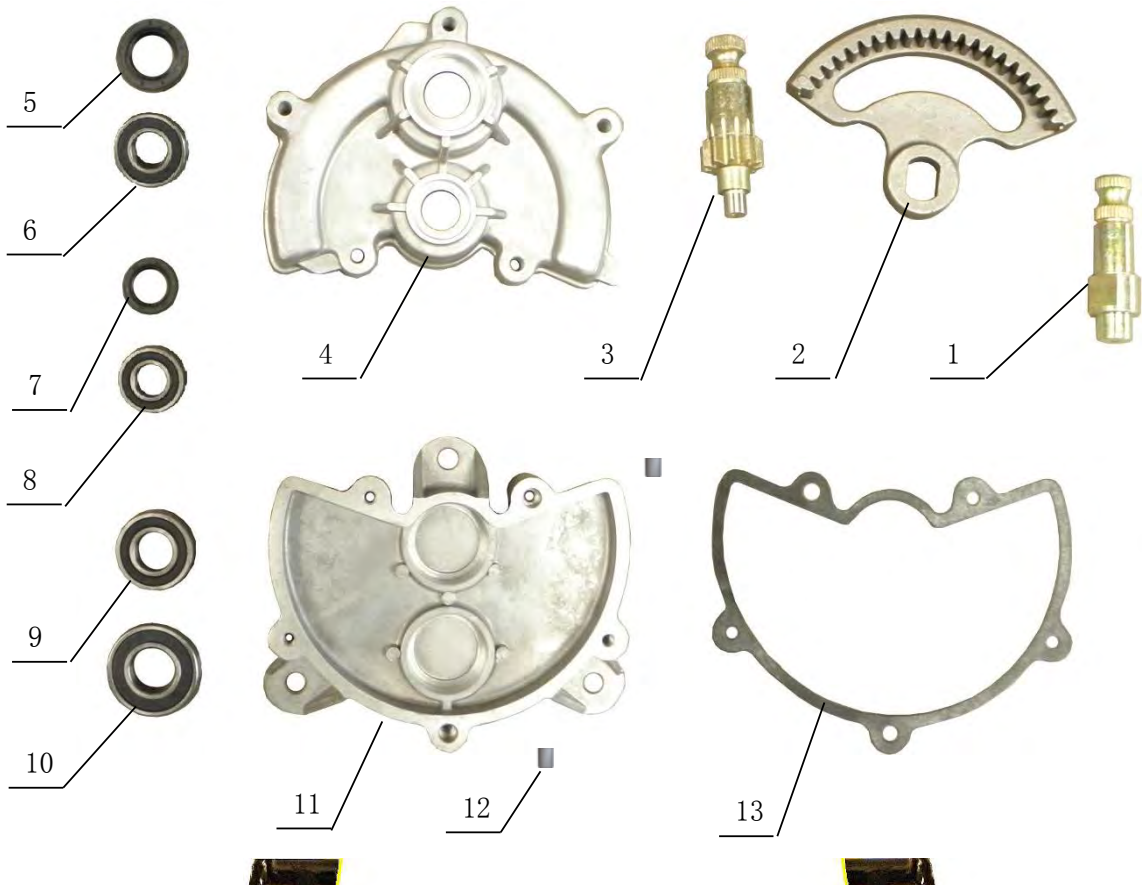
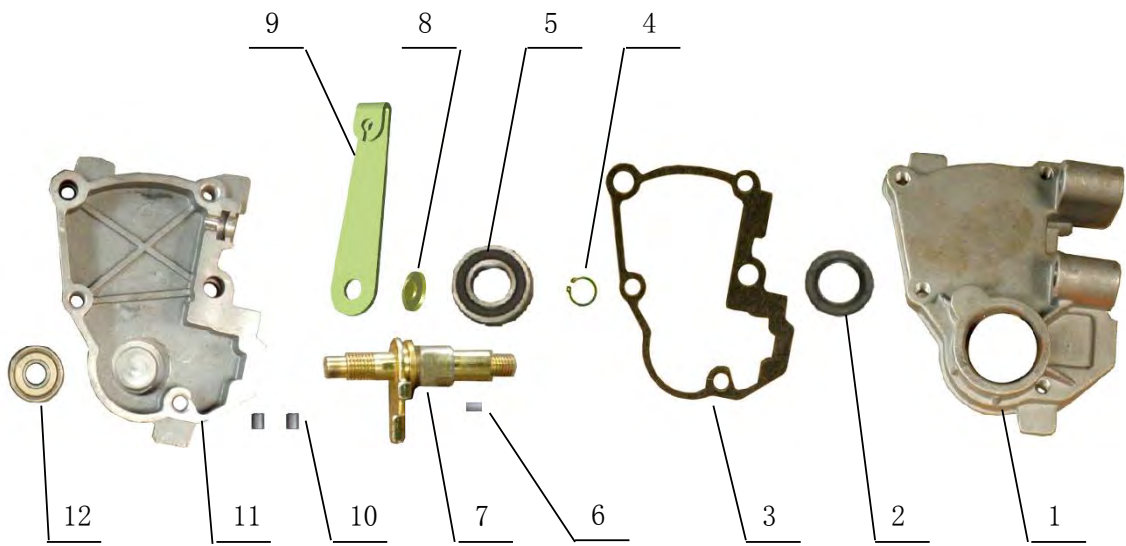
4		放油螺栓 M12x16 六角法兰	Ablassschraube M12x16 flange	1	1	
9		内六角螺栓 M8x35	M8x35 bolt	3	1	
19		六角法兰螺栓 M8x22 反牙	M8x22 counter flange bolt	1	1	
23		六角法兰螺栓 M6x20	M6x20 flange bolt	3	1	

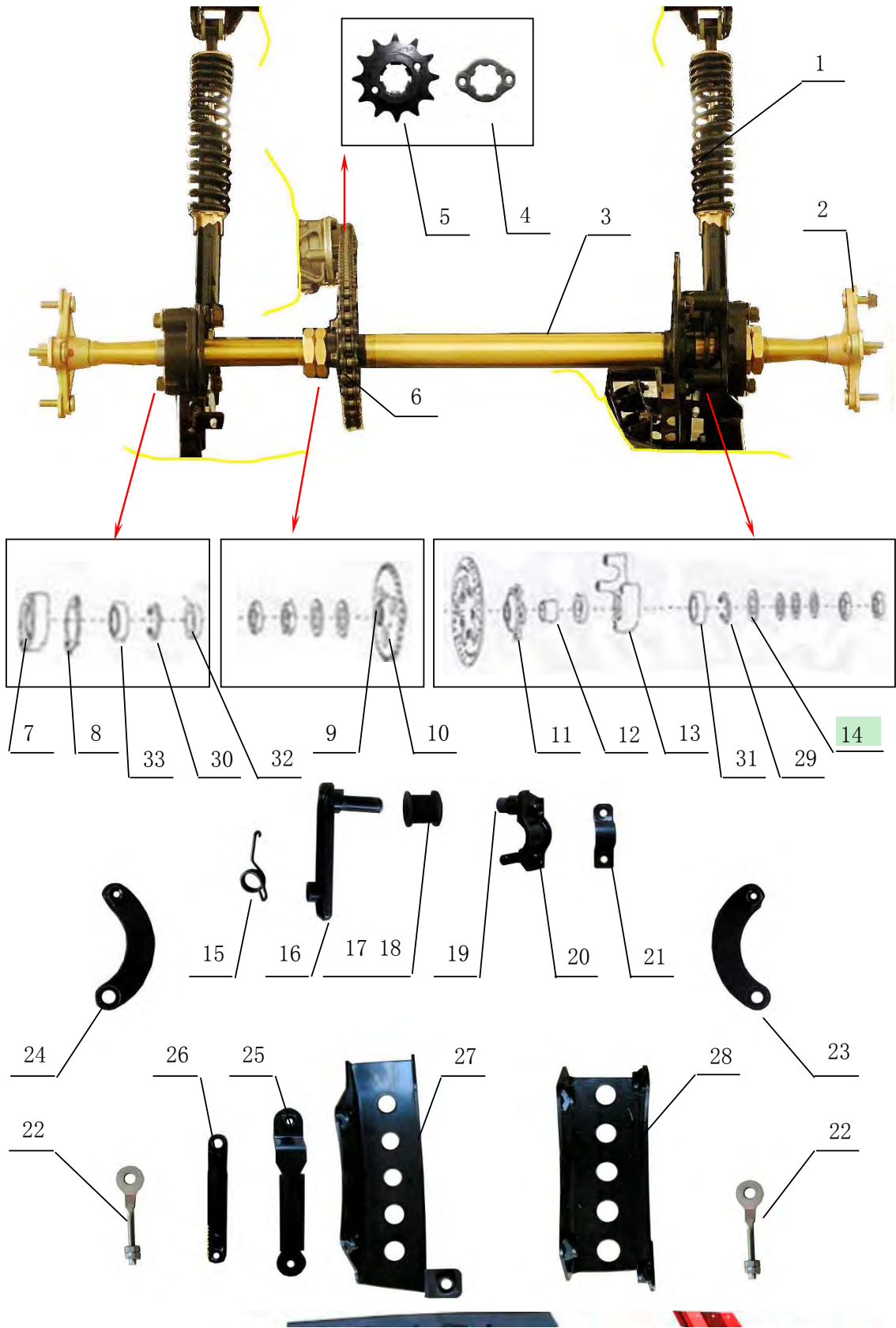














1、车架及附件

No	Ref No	Chinese	Description	QTY	Unit
1	19-0801010	车架	Frame	1	1
2	19-0801020	前弯管	Front joint pipe	1	1
3	19-0801020	后弯管	rear joint pipe	1	1
4	19-0801040	扶手 右	railing right	1	1
5	19-0801050	扶手 左	railing left	1	1
6	19-0801070	发动机上吊挂	engine hang	1	1
7	19-0100705	发动机上吊挂橡胶套	engine hang rubber sleeve	2	1
8	19-0100502	减震套	shock absorbing bush	2	1
9	19-0100501	后悬挂架	rear hang shelf	1	1
10	19-0801080	发动机副悬挂	engine secondary hang	1	1
11	19-0100502	发动机减震块	engine shock absorber	4	1
12	19-0801060	座椅支架管	seat support shelf	1	1
13	19-0800201	小网门 左	small net door left	1	1
	19-0800202	小网门 右	small net door right	1	1
14	19-0800203	大网门 左	big net door left	1	1
	19-0800204	大网门 右	big net door right	1	1
15	19-0100805	前防尘碗	front Dust-proof cover	2	1
16	19-0100803	前轮辋 8x5.5	front wheel rim 8x5.5	2	1
17	19-0100801	前轮胎 19x7R8	front tyre 19x7R8	2	1
18	19-0100806	后防尘碗	rear Dust-proof cover	2	1
19	19-0100804	后轮辋 9x8	rear wheel rim 9x8	2	1
20	19-0100802	后轮胎20x10-9	rear tyre 20x10-9	2	1
21	19-0800401	安全带	seat belt	2	1
22	19-0800301	座椅	seat	2	1
23	19-0800302	主驾驶座椅滑道	main driver seat slidewa	1套	1
24	19-0800303	副驾驶座椅滑道	vice driver seat slidewa	1套	1

2、燃油系统、进气系统、排气系统

No	Ref No	Chinese	Description	QTY	Unit
1	19-0200203	点火器	CDI	1	1
2	19-0200201	高压包	IGNITION COIL	1	1
3	19-0200202	稳压器	voltage regulator;	1	1
4	04-0912000	启动继电器	starting relay	1	1

5	19-0400102	油箱卡箍 大	fuel tank clamp big	1	1
6	19-0400103	油箱卡箍 小	fuel tank clamp small	1	1
7	19-0400104	油箱橡胶条 L=400	fuel tank rubber strip L=	1	1
8	19-0400105	油箱橡胶条 L=360	fuel tank rubber strip L=	1	1
9	19-0400101	油箱盖	fuel tank cap	1	1
10	19-0400100	油箱	fuel tank	1	1
11	19-0400108	出油嘴	oil-out	1	1
12	19-0400109	出油嘴 O型圈	oil-out O ring		
13	19-0400107	油箱开关	fuel tank switch	1	1
14	19-0400106	燃油真空泵	fuel oil vacuum pump	1	1
15	19-0400110	汽油过滤器	petrol filter	1	1
16	19-0400111	油管 1 Φ6 L=590	oil pipe 1 Φ6 L=590	1	1
17	19-0400112	油管 2 Φ6 L=400	oil pipe 2 Φ6 L=400	1	1
18	19-0400113	油管 3 Φ6 L=310	oil pipe 3 Φ6 L=310	1	1
19	19-0400114	油管 4 Φ4.5 L=460	oil pipe 4 Φ4.5 L=460	1	1
20	19-0400115	油管 5 Φ4.5 L=300	oil pipe 5 Φ4.5 L=300	1	1
21	19-0400116	油管 6 Φ4.5 L=240	oil pipe 6 Φ4.5 L=240	1	1
22	19-0400102	油箱卡箍 大	fuel tank clamp big	6	1
23	19-0400103	油箱卡箍 小	fuel tank clamp small	6	1

24	19-0200502	空滤器支架	air filter shelf	1	1
25	19-0200501	空滤器	air filter	1	1
26	19-0200503	空滤器卡箍	air filter clamp	1	1
27	19-0200204	化油器	carburetor	1	1

28	19-0700100	消音器	muffle	1	1
29	19-0200300	二次补气	second intake	1	1
30	19-0700101	消音器垫子	muffle cushion	1	1

3、刹车、油门、变档

No	Ref No	Chinese	Description	QTY	Unit
1	19-1100101	变档球	Shift ball	1	1
2	19-1100102	变档手柄	Shift lever	1	1
3	19-1100203	发动机变档支架	shift shelf	1	1
4	19-1100201	换档线1（右前）	gear shift cable 1 (right)	1	1
5	19-1100202	换档线2（左后）	gear shift cable 1 (left r	1	1
6	19-0600403	手刹手柄	parking brake handle	1	1
7	19-0600305	开关簧	switch spring	1	1
8	19-0900206	手刹开关	packing brake switch	1	1
9	19-0600408	手刹线	packing brake cable	1	1
10	19-0600100	碟刹系统总成	brake system assembly	1	1
11	19-0600106	刹车泵连接板	brake pump joint plate	1	1
12	19-0600101	前碟刹盘	front brake dic	2	1
13	19-0600102	后碟刹盘	rear brake dis	1	1
14	19-0900205	脚刹开关	foot brake switch	1	1
15	19-0600305	开关簧	switch spring	1	1
16	19-0600304	脚刹回位簧	foot brake spring	1	1
17	19-0600302	脚刹踏板内衬套	brake pedal inner bush	1	1
18	19-0600303	脚刹踏板尼龙套	brake pedal nylon bush	2	1
19	060106	φ9 卡簧	φ9 clamp spring	1	1
20	19-0600301	脚刹踏板	foot brake pedal	1	1
21	19-0400201	油门线	throttle cable	1	1
22	19-0600200	踏板支架	brake pedal shelf	1	1
23	19-0400202	油门踏板回位簧	accelerator pedal spring	1	1
24	19-0400203	油门踏板	accelerator pedal	1	1
25	19-0400204	油门踏板限位板	accelerator pedal limite	1	1
26	19-0400300	油门总成	accelerator	1	1

4、前悬挂系统、转向系统

No	Ref No	Chinese	Description	QTY	Unit
1	19-0800500	副驾驶扶手	copilot handrail	1	1
2	19-0800503	把套	grip	2	1
3	19-0800504	销子	pin	1	1
4	19-0800505	卡簧	clamp spring	1	1

5	19-0500301	方向盘	steering wheel	1	1
6	19-0500100	方向柱	steering columns	1	1
7	19-0500200	转向连杆	steering linkage	1	1
8	19-0500600	球头拉杆	ball joint pull rod	2	1
9	19-0500500	转向摇臂	steering arm	1	1
10	19-0500400	方向机总成	Redirector	1	1

11	19-0100101	前减震	front shock absorpion	2	1
12	19-0100201	前驱动盘	front driver disc	2	1
13	19-0100401	羊角轴 左	cavel axle left	1	1
	19-0100402	羊角轴 右	cavel axle right	1	1
14	19-0100301	前摆臂 左	front swing arm right	1	1
	19-0100302	前摆臂 右	front swing arm left	1	1
15	19-0100306	前摆臂刹车线固定	front swing arm brake d	2	1
16	19-0100305	摆臂防尘盖	swing arm dust proof d	8	1
17	19-0100304	摆臂尼龙套	swing arm nylon cover	8	1
18	19-0100307	黄油嘴	grease nipple	4	1
19	19-0100303	摆臂内衬套	swing arm inner bush	4	1

19-0400300 油门总成			accelerator		
1	19-0400302	油门外壳 右	accelerator shell right	1	1
2	040137	15*26*4.5油封	oil seal 15*26*4.5	1	1
3	19-0400307	密封垫	gasket	2	1
4	060109	轴用卡簧 Φ15	clamp spring Φ15	1	1
5	050126	轴承(61902)	bearing (61902)	1	1
6	19-0400308	平键9.5*3.8*4	flat key 9.5*3.8*4	1	1
7	19-0400305	油门中间轴	intermediate axle	1	1
8	19-0400309	凸台垫片	convex plate gasket	1	1
9	19-0400304	油门线支架	throttle cable shelf	1	1
10	19-0400306	定位销 8×14	dowel 8×14	1	1
11	19-0400301	油门外壳 左	accelerator shell right	1	1
12	050125	轴承608	bearing 608	1	1

19-0500400 方向机总成			Redirector		
1	19-0500407	方向机内部小轴	Redirector inner shaft	1	1
2	19-0500405	方向机内部扇形齿轴	Redirector inner sector	1	1
3	19-0500406	方向机内部小齿轮	Redirector inner pinion	1	1
4	19-0500401	方向机外壳 上	Rdirector hull upper	1	1
5	040138	17*25*4油封	oil seal 17*25*4	1	1
6	050121	6003轴承	bearing 6003	1	1
7	040139	20*32*7油封	oil seal 20*32*7	1	1
8	050122	6004轴承	bearing 6004	1	1
9	050123	6202轴承	bearing 6202	1	1
10	050124	6300轴承	bearing 6300	1	1
11	19-0500402	方向机外壳 下	Rdirector hull lower	1	1
12	19-0500403	定位销 8×14	dowel 8×14	2	1
13	19-0500404	密封垫	gasket	1	1

5、后悬挂系统

No	Ref No	Chinese	Description	QTY	Unit
1	19-0100102	后减震	rear shock absorption	2	1
2	19-0100202	后驱动盘	rear driver disc	2	1
3	19-0100601	后大轴	rear axle	1	1
4	19-0100703	小链轮固定板	small chain wheel retain	1	
5	19-0100702	发动机小链轮	engine small chain whe	1	
6	19-0100704	链条	chain	1	1
7	19-0100604	轴承座	bearing seat	1	1
8	19-0100605	轴承座 垫片	bearing seat gasket		
9	19-0100701	链轮	chain wheel	1	
10	19-0100607	后链轮花键套	rear chain wheel spline	1	
11	19-0100605	后碟刹盘花键套	rear break disc spline h	1	
12	19-0100606	轴套	shaft housing	1	
13	19-0100603	刹车支架	brake shelf	1	1
14	19-0100610	小轴套	small shaft housing	1	1
15	19-0100716	涨紧器回位簧	tensioner return spring	1	1
16	19-0100709	链轮固定限位板	chain wheel limit pedal	1	1
17	19-0100708	链轮导向轮	chain wheel guide whe	1	1
18	060107	φ10 卡簧	φ10 clamp spring	1	1
19	19-0100713	链轮橡胶柱	chain wheel rubber colu	1	1
20	19-0100712	链轮固定卡箍 下	chain wheel clamp lowe	1	1
21	19-0100711	链轮固定卡箍 上	chain wheel clamp upp	1	1
22	19-0100705	链条调节器	chain adjuster	2	1
23	19-0100608	后大轴固定件防松	rear axle fixed block stc	1	1
24	19-0100609	后大轴固定件防松	rear axle fixed block stc	1	1
25	19-0100715	链盒固定支架2	chain box fixed shelf 2	1	1
26	19-0100714	链盒固定支架1	chain box fixed shelf 1	1	1
27	19-0100706	链轮下护罩	chain wheel lower shiel	1	1
28	19-0100707	碟刹盘下护罩	brake plate lower shield	1	1
29	060205	φ65卡簧	clamp spring φ65	1	1
30	060204	φ62卡簧	clamp spring φ62	1	1
31	050119	62/32CLU轴承	62/32CLU bearing	1	1
32	050120	6206轴承	6206 bearing	1	1
33	040136	32*62*7 油封	oil seal 32*62*7	1	1

6、覆盖件 / 电器系统

No	Ref No	Chinese	Description	QTY	Unit
1	19-1000101	前面板	front fender	1	1
2	19-1000102	假仪表	fake instrument	1	1
3	19-1000103	仪表底座	instrument seat	1	1
4	19-1000104	风窗	air window	1	1
5	19-1000105	引擎盖	hood	1	1
6	19-1000106	前护板	front guard	1	1
7	19-1000107	左护板	left guard	1	1
8	19-1000108	右护板	right guard	1	1
9	19-1000109	脚踏板	footrest pedal	1	1
10	19-1000110	座椅底板	seat baseboard	1	1
11	19-1000111	左轮眉	left wheel arch	1	1
12	19-1000112	右轮眉	right wheel arch	1	1
13	19-1000113	背护板	back guard board	1	1
14	19-1000114	油箱底护板	tank toe-board	1	1
15	19-1000115	挂钩	pothook	8	1
16	19-1000116	货箱	packingcase	1	1
17	19-1000117	后面板	rear fender	1	1
18	19-1000118	链轮护罩	chain wheel guard	1	1
		喷漆		1	1
		转印		1	1
19	19-0900301	前大灯 (带雾灯)	front light (with fog light	2	1
20	19-0900302	前大灯	front light	2	1
21	19-0900305	后尾灯 左	rear tail light left	1	1
	19-0900306	后尾灯 右	rear tail light right	1	1
22	19-0900307	组合开关	combination switch	1	1
23	19-0900201	电锁	switch lock	1	1
24	19-0900304	N 小灯	N light	1	1
25	19-0900303	R 小灯	R light	1	1
26	19-1000119	塑件皮塞	Plastic plug	1	1
27	19-1000120	组合开关备用盖板	combination switch spa	1	1
28	19-0900402	电瓶拉皮	battery pull tie	1	1
29	19-0900401	电瓶	battery	1	1
30	04-0916000	电瓶减震垫	battery cushion	2	1
	19-0909000	全车线	WIRE HARENESS	1	1